

# INSTALLATION MANUAL

PRODUCT: SIDE ROCK RAILS WITH DROP STEPS

APPLICATION: JEEP JL (2018-)

PART NO: 2D.2757.1



## **CAUTION!**

To reduce the risk of serious injury or damage, please read and understand all instructions and procedures before attempting to install or use this product. Safety glasses must be worn at all times during installation or maintenance of this product.

Ensure all mounting bolts are tensioned after 400 kms/250 miles and periodically thereafter.

## **WARNING**

This product is intended to reduce risk of off-road body panel damage and assist in ENTRY/EXIT from vehicle. Side Rails are not intended to increase occupant protection or reduce vehicle damage in event of accident.

# SIDE ROCK RAILS WITH DROP STEPS



Part number 2D.2757.1  
Suited to vehicle: JEEP WRANGLER JL 2018-  
Material: Aluminum/Steel



## SAFETY NOTICE

- \* The RIVAL Side Rails are designed to compliment the use and design of the specified vehicle under conditions specified by the vehicle manufacturer.
- \* While driving the vehicle at any speed, collision with any other vehicle, animal or object must always be avoided.
- \* Following any collision with any other vehicle, animal or object, the RIVAL Side Rails and the vehicle must be inspected by a specialized or suitably qualified vehicle repairer for possible damage to the components and assemblies in order to confirm suitability for further use of the vehicle.
- \* It is strongly recommended that you do not operate a vehicle with damaged Side Rails or Drop Steps or its components. In the case of damage, please contact the nearest RIVAL dealer. Vehicle, or where the Side Rails has been damaged, is extremely dangerous and must be avoided at all cost.

## INSTALLATION NOTICE

- \* The RIVAL Rock Rails must be mounted and affixed to the vehicle according to this installation manual.
- \* Personal safety during the installation process must be adhered to at all times.



- \* Do not install this Side Rails on vehicle models other than those allowed in this manual.
- \* Estimated time for installation: 2.5 hours

## REQUIRED TOOLS



-Socket S-13, S-17;



-Wrenches S-13, S-17;



- Ratchet wrench;

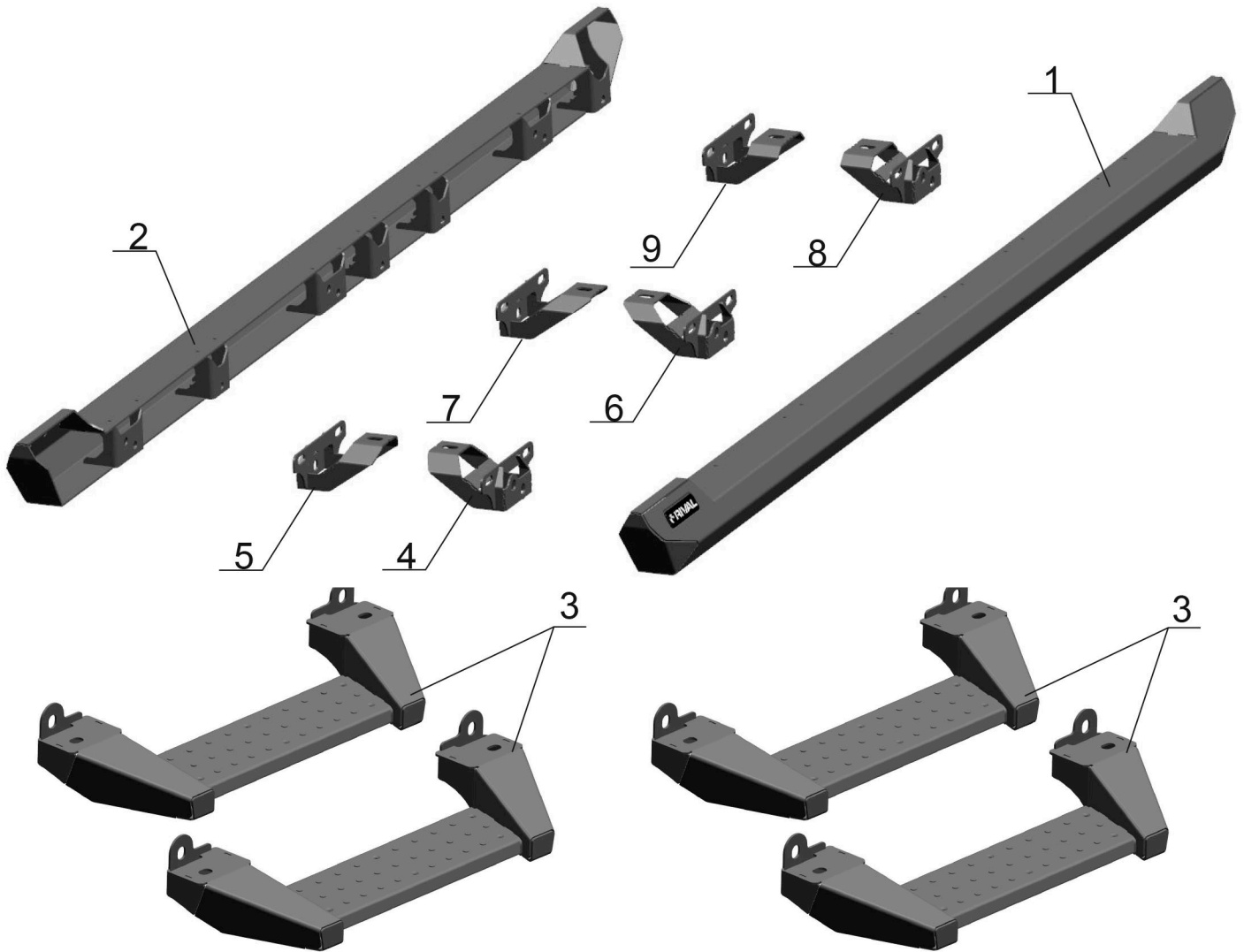


- Torque wrench.

## TORQUE SETTING

- \* M8 - 23 N·m (16.9 lb/ft);
- \* M10 - 30 N·m (22.1 lb/ft).

# PARTS LISTING



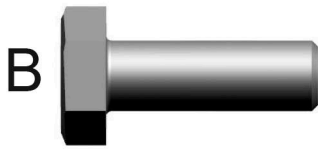
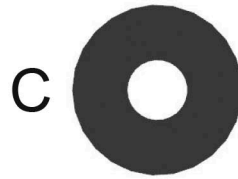
**Parts list:**

- 1. Left Side Rail.....1 Qty
- 2. Right Side Rail.....1 Qty
- 3. Drop Steps.....4 Qty

**Mounting Brackets:**

- 4. Front left bracket.....1 Qty
- 5. Front right bracket.....1 Qty
- 6. Center left bracket.....1 Qty
- 7. Center right bracket.....1 Qty
- 8. Rear left bracket.....1 Qty
- 9. Rear right bracket.....1 Qty

# HARDWARE LIST



A. Bolt M8x35 mm (black) .....	18 Qty
B. Bolt M10x20 mm .....	28 Qty
C. Flat washer 8 mm (black).....	30 Qty
D. Flat washer 10 mm .....	28 Qty
E. Lock Nut M8 mm .....	12 Qty



# INSTALLATION PROCEDURE

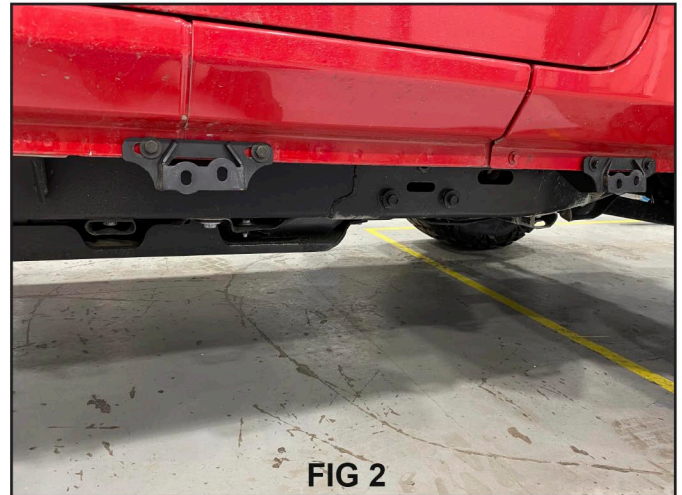


**REMOVE FACTORY STEPS OR GUARDS.**  
\*If equipped, remove the factory steps or rocker guards.



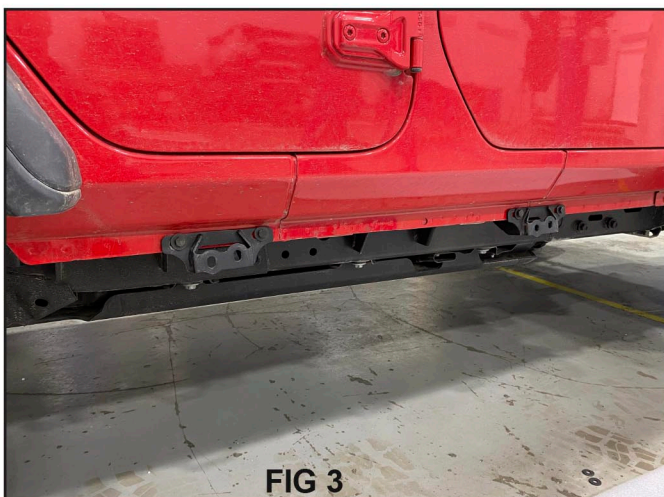
## Right Side Rail mounting.

1. Install the front right bracket (pos.4), using Bolt M8x35 mm (A), Flat washer 8 mm (C) and Lock Nut M8 mm (E) (Fig 1).  
Do not tighten yet.



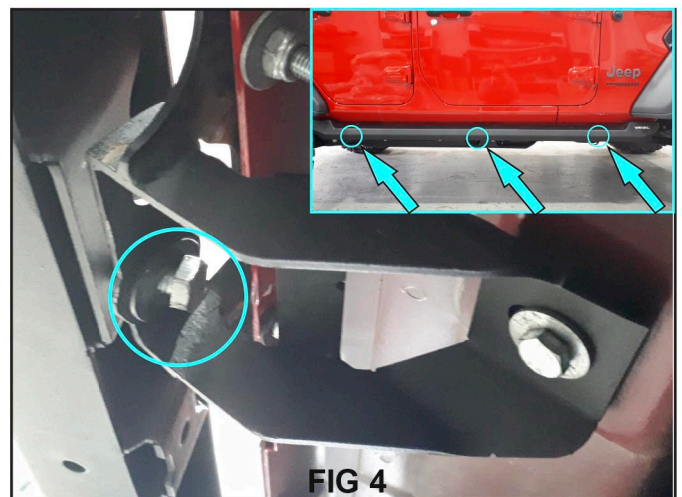
## Right Side Rail mounting.

2. Install the center right bracket (pos.6), using Bolt M8x35 mm (A), Flat washer 8 mm (C) and Lock Nut M8 mm (E) (Fig 2).  
Do not tighten yet.



## Right Side Rail mounting.

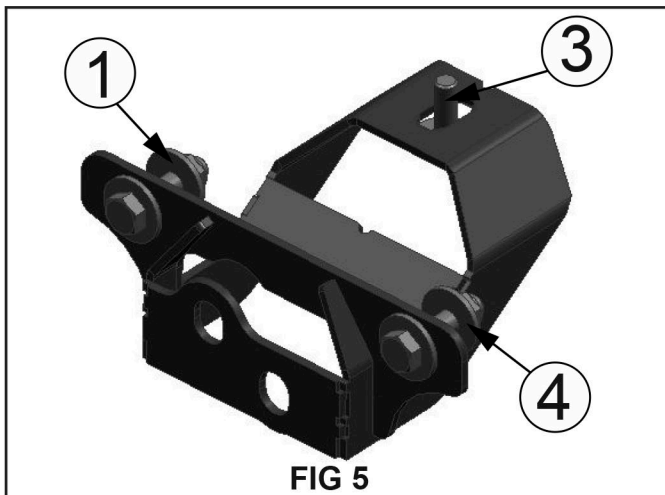
3. Install the rear right bracket (pos.8), using Bolt M8x35 mm (A), Flat washer 8 mm (C) and Lock Nut M8 mm (E) (Fig 3).  
Do not tighten yet.



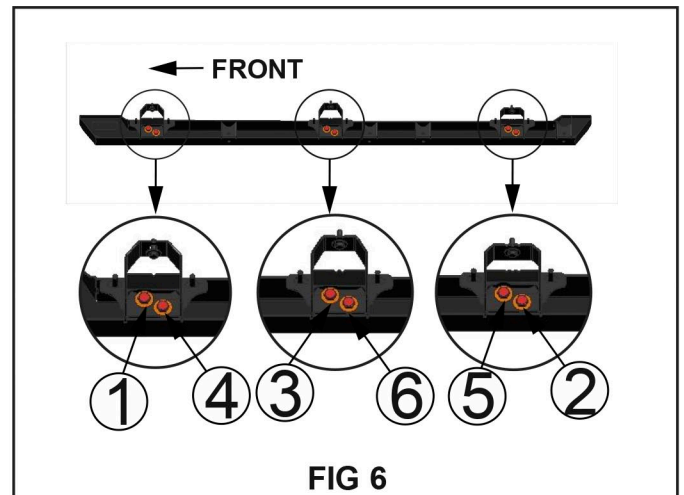
## Right Side Rail mounting.

4. Attach the Right Side Rail (pos.2) to each bracket (pos.4, 6, 8) using Bolt M10x20 mm (B) and Flat washer 10 mm (D) (Fig 4).  
Do not tighten yet.

**Repeat steps 1-4 for the left side of vehicle.**



5. Tighten all the hardware that attaches brackets to vehicle. The order of tightening is specified (Fig 5).



6. Align the Side Rail (pos.2) with the vehicle and tighten all bolts securing the Side Rail to the front, center and rear brackets. The order of tightening is specified (Fig 6).

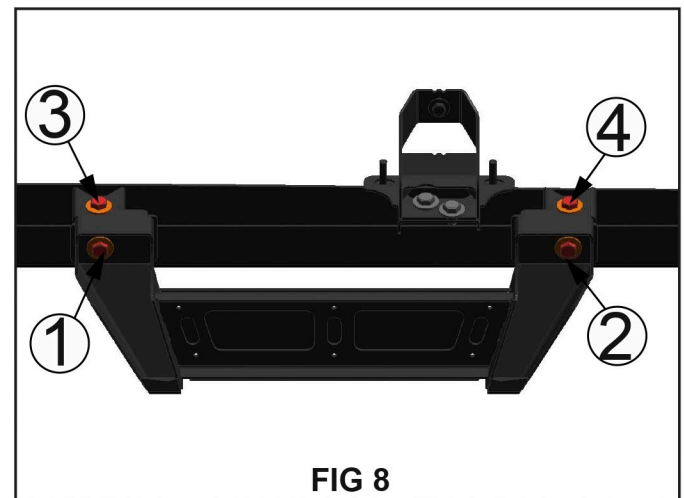
**Repeat steps 4-6 for the left side of vehicle.**



7. Attach the Drop Steps (pos .3) to Side Rails (pos.2), using Bolt M10x20 mm (B) and Flat washer 10 mm (D) (Fig 7).

Do not tighten yet.

**All Drop Steps are the same and can be installed on both sides, also front and back.**



8. Tighten all the hardware that attaches Drop Steps (pos.3) to Side Rail (pos.2) The order of tightening is specified (Fig 8).

**Repeat steps 7-8 for remaining Drop Steps.**



Before operating a vehicle fitted with RIVAL Side Rock Rails with Drop Steps:

- make sure all fittings are tightened;
- ensure the integrity of the structure and its components.

