

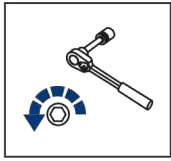
REINFORCED MOUNTING KIT FOR FACTORY ROLL BAR (DRILLING REQUIRED)



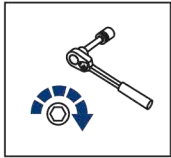
for: Jeep Wrangler JL 4 door (2017-)

2M.2702.K (installed only together with part 2M.2701.K)





Regular fasteners



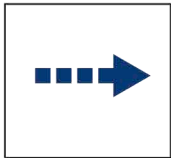
Regular fasteners



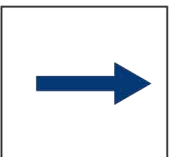
Screw a several turns



Loosen bolts



Movement Arrow

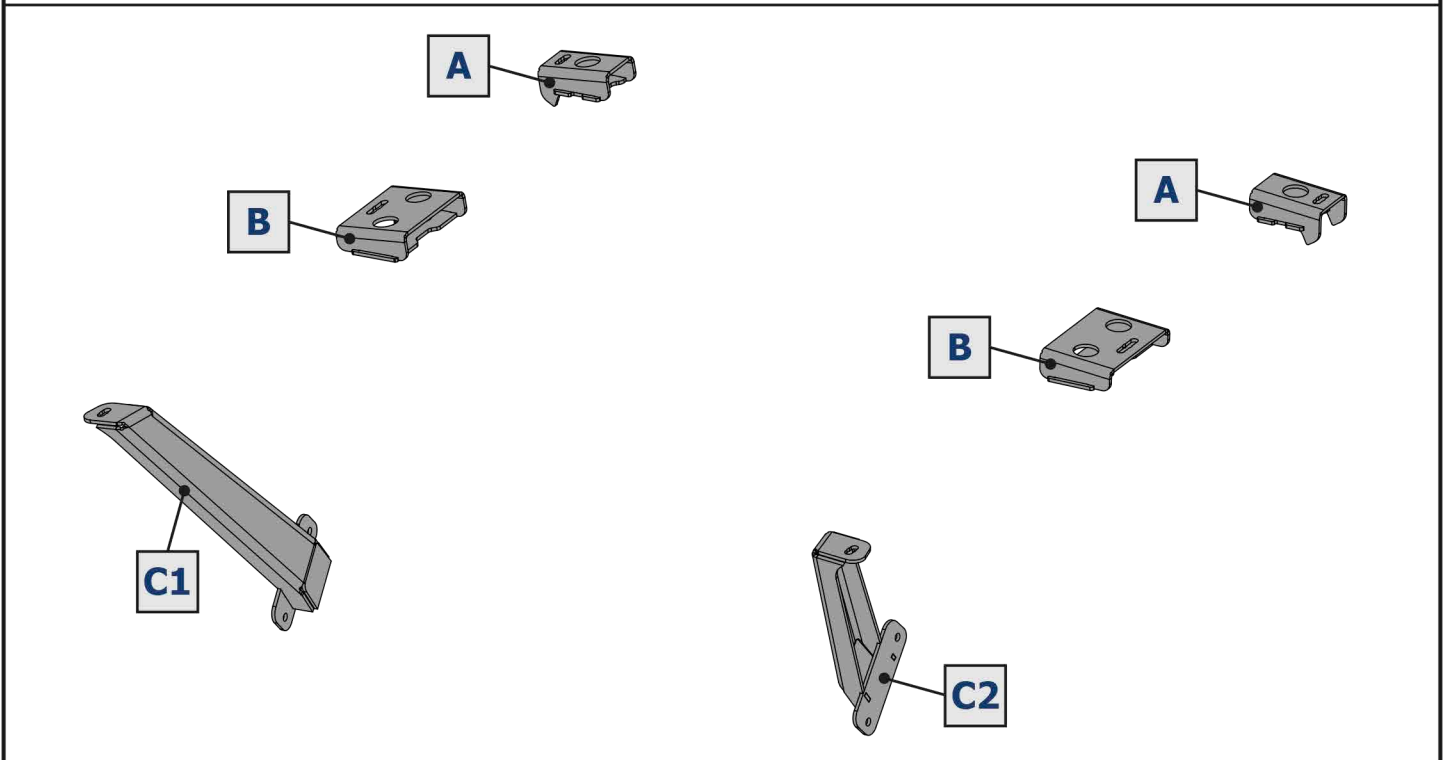


Location/Position Arrow



Screw Arrow

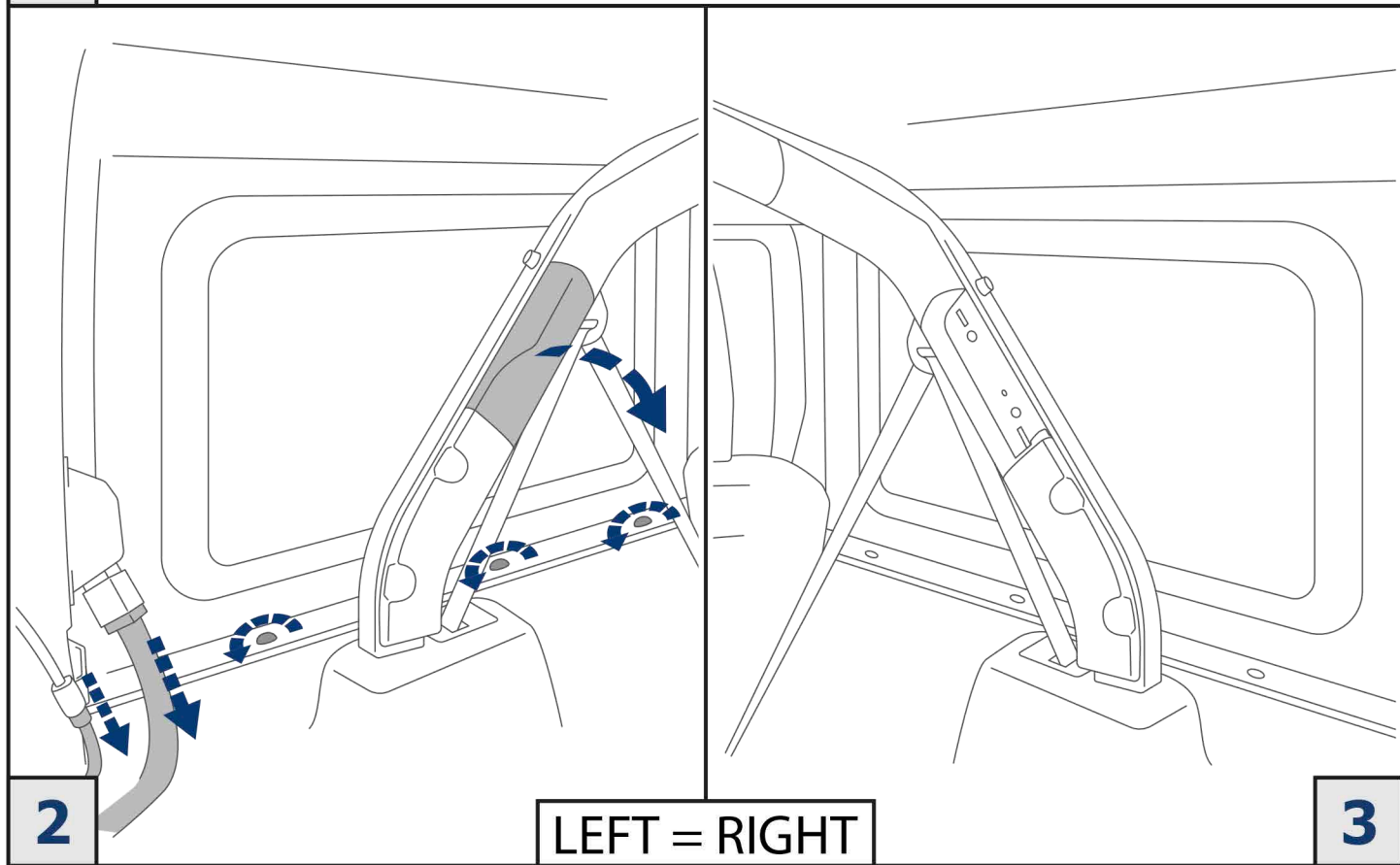
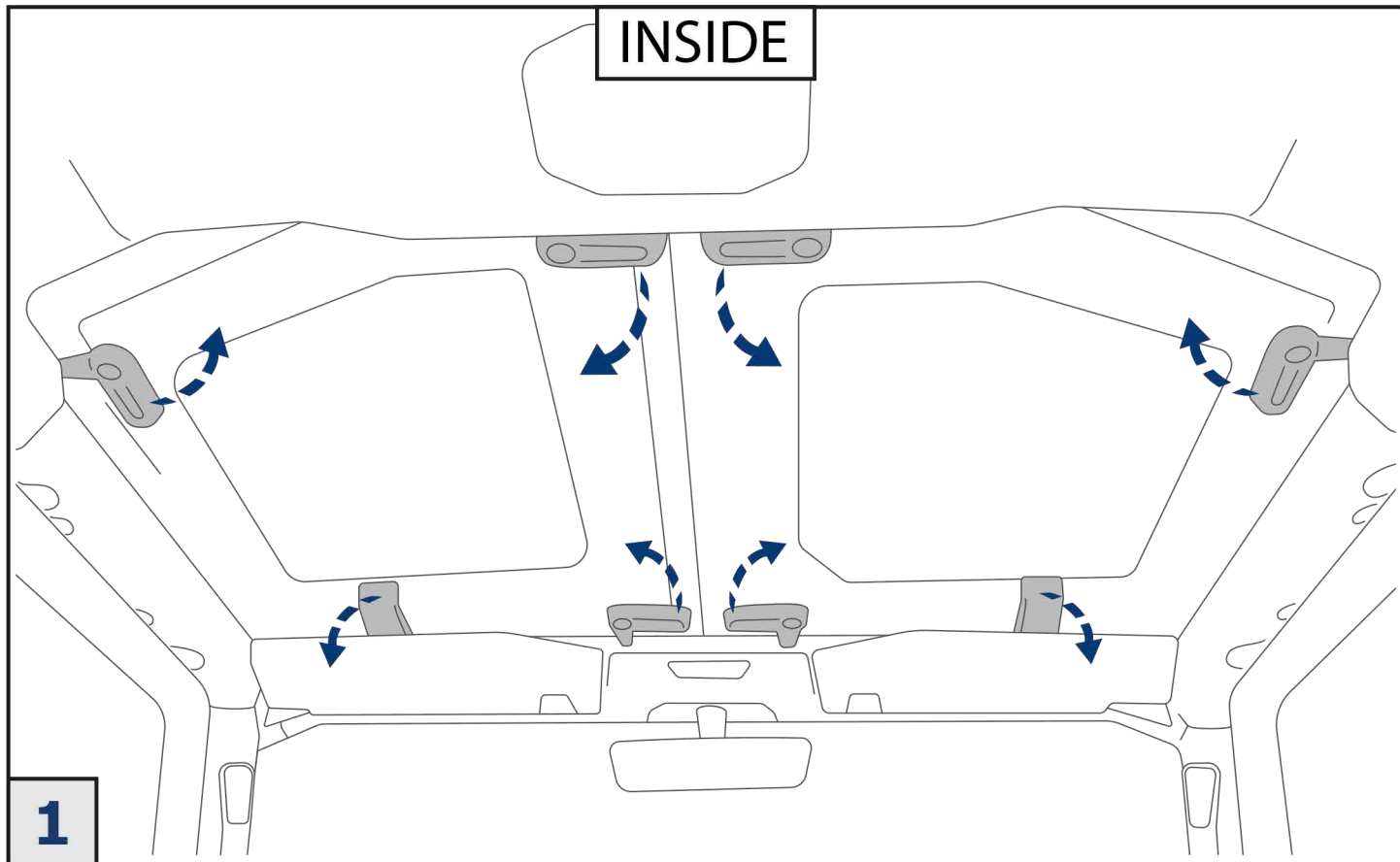
Ratchet	S - 13; S - 16	HEX S - 5	Drill	Ø 4	Step drill bit Ø 6-30	Masking tape	Sealer
Cardan socket	Hex key 5mm	Office Knife					

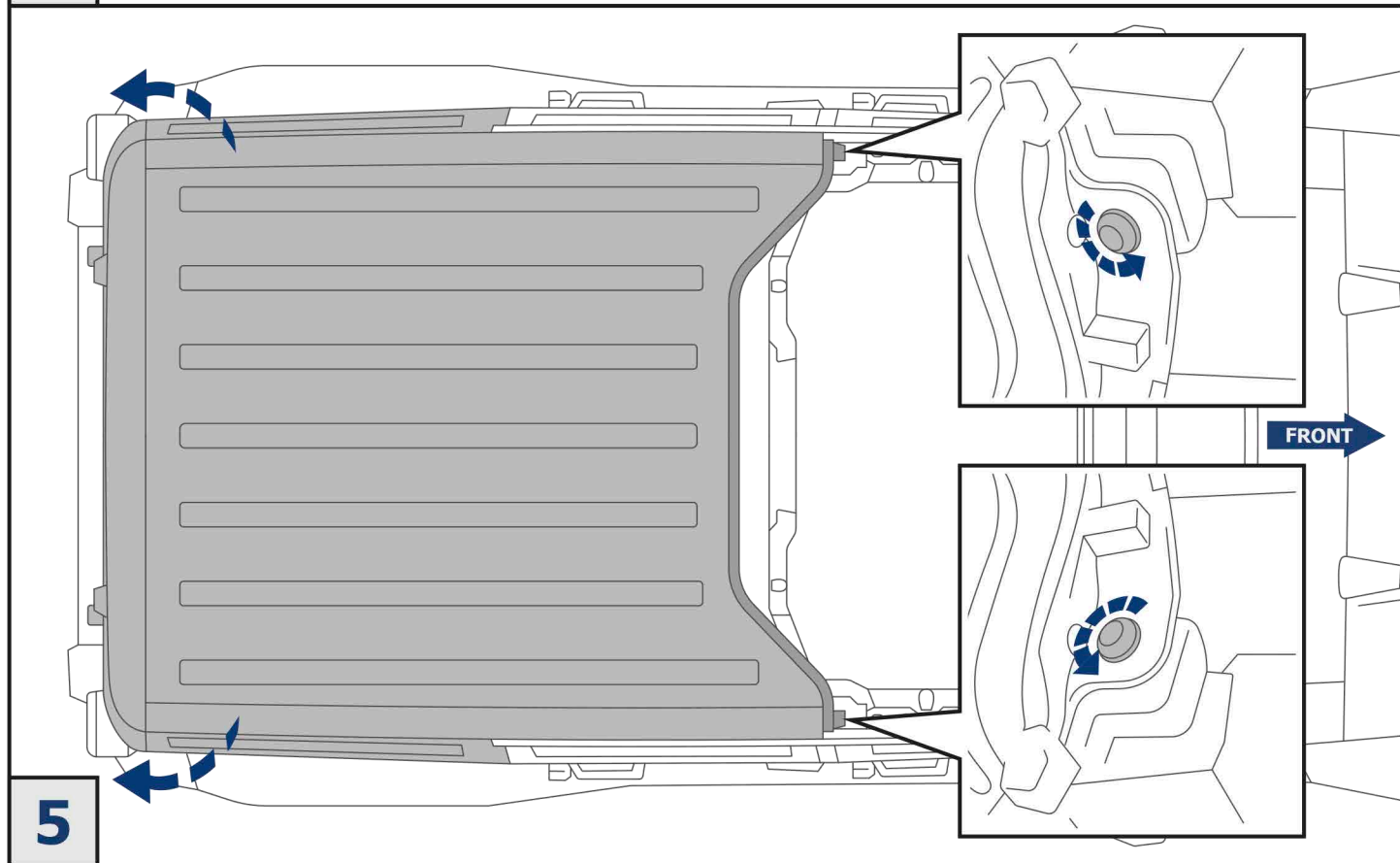
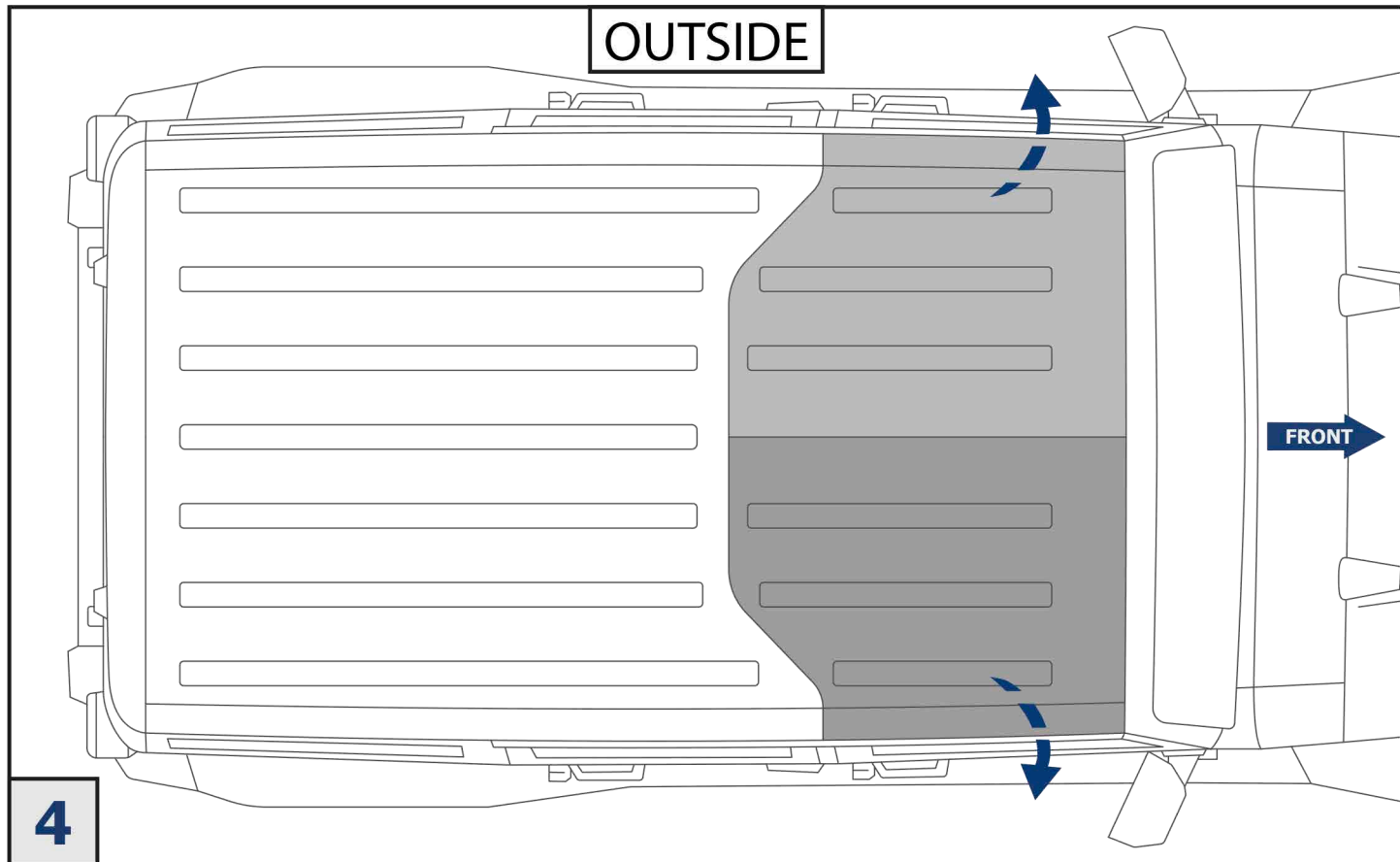


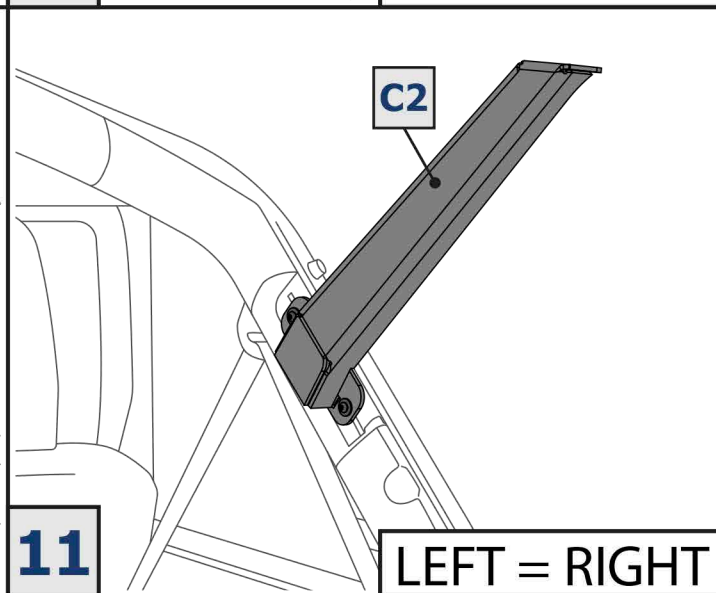
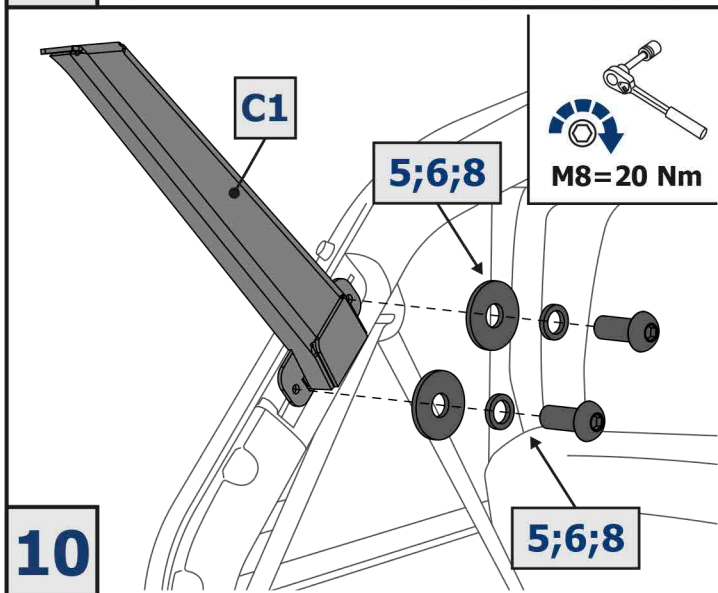
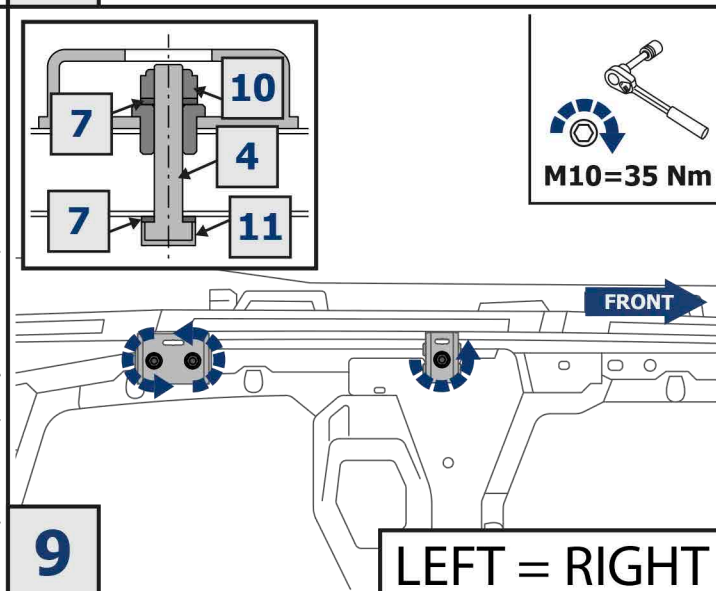
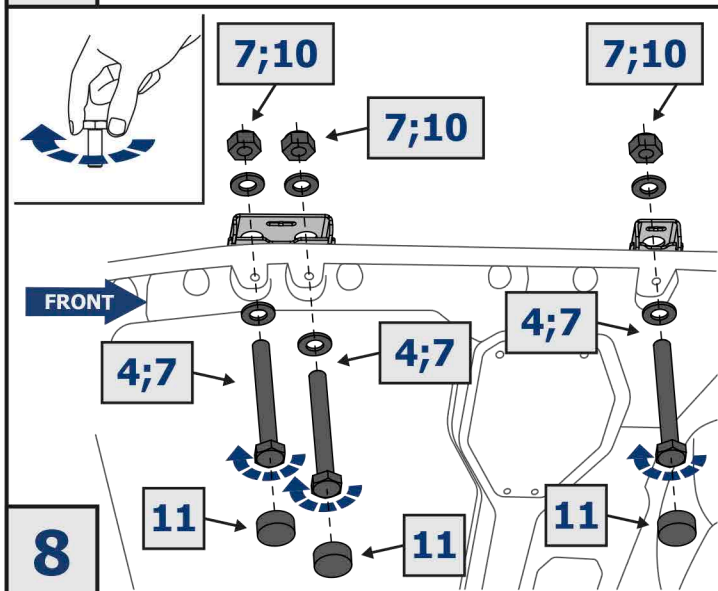
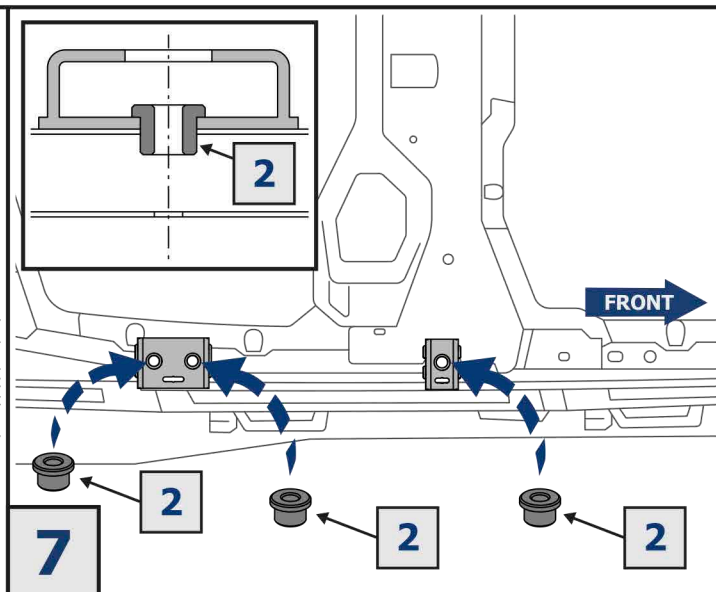
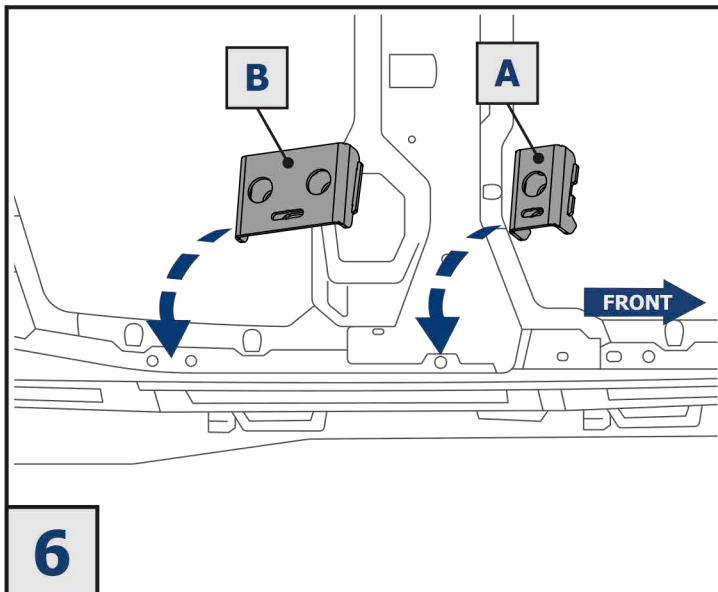
1 x6	2 x6	3 M8x60 x6	4 M10x85 x6	5 M8x20 x4	6 Ø8 x16
7 Ø10 x12	8 Ø8 x4	9 M8 x6	10 M10 x6	11 Ø8 x6	

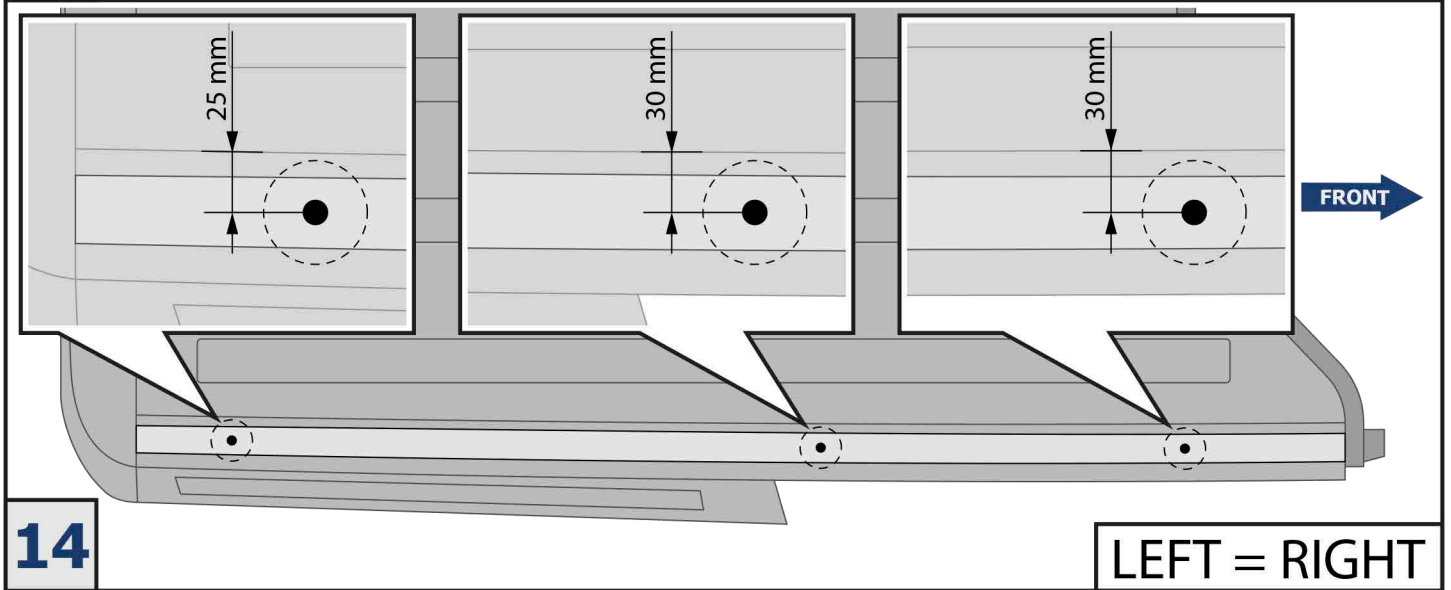
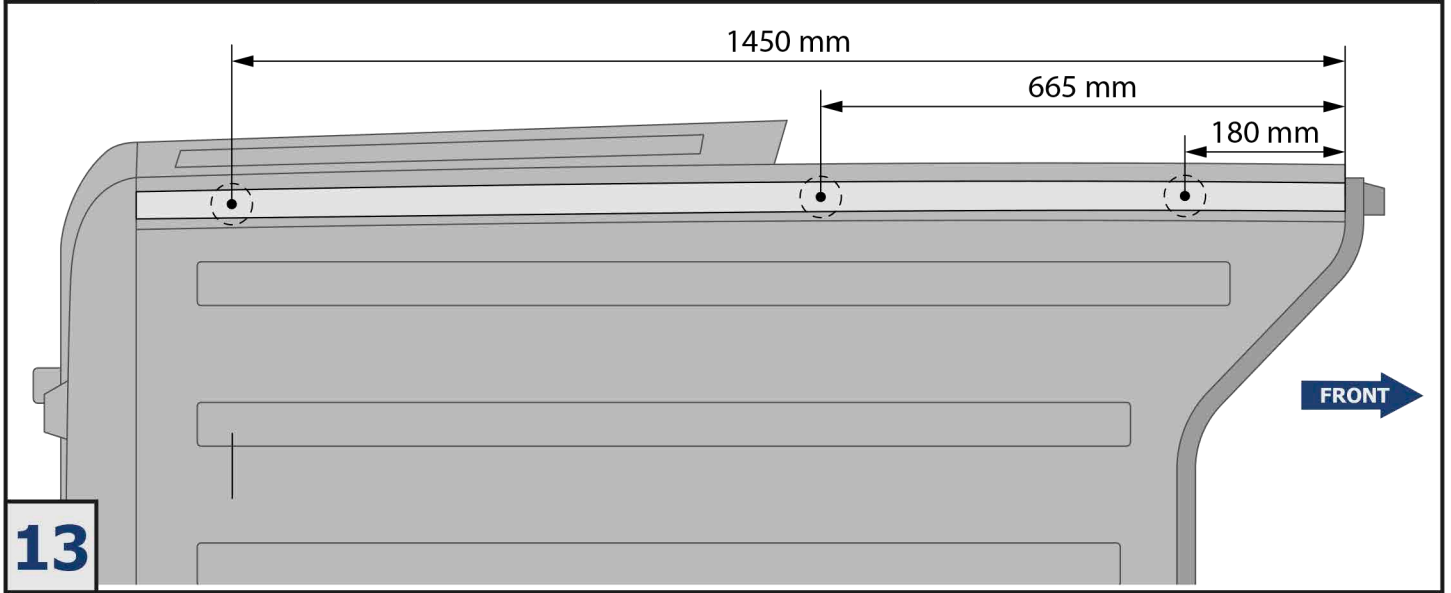
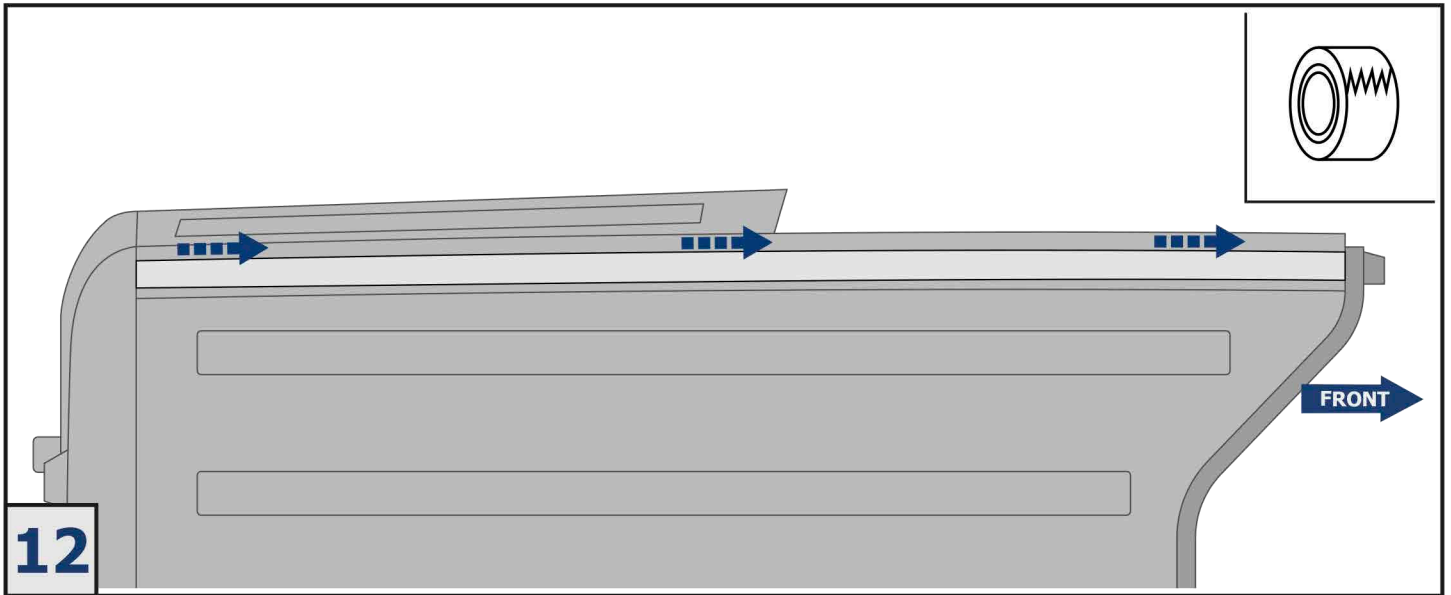
IMPORTANT WARNING!

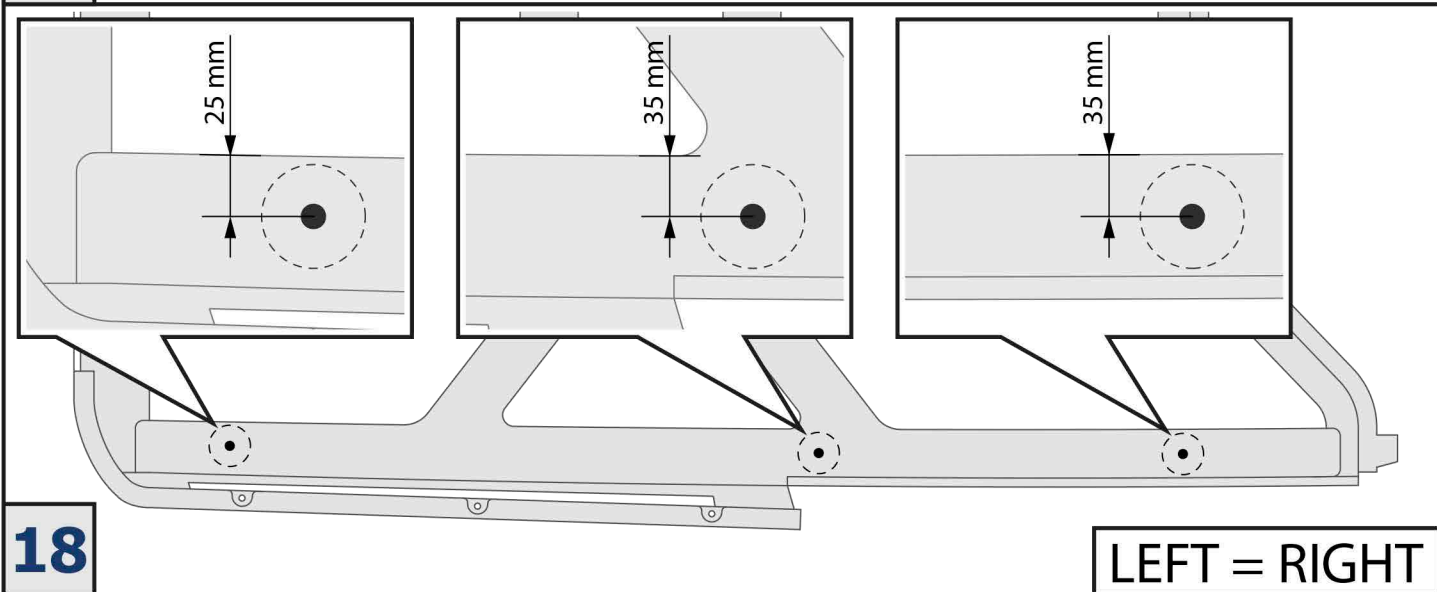
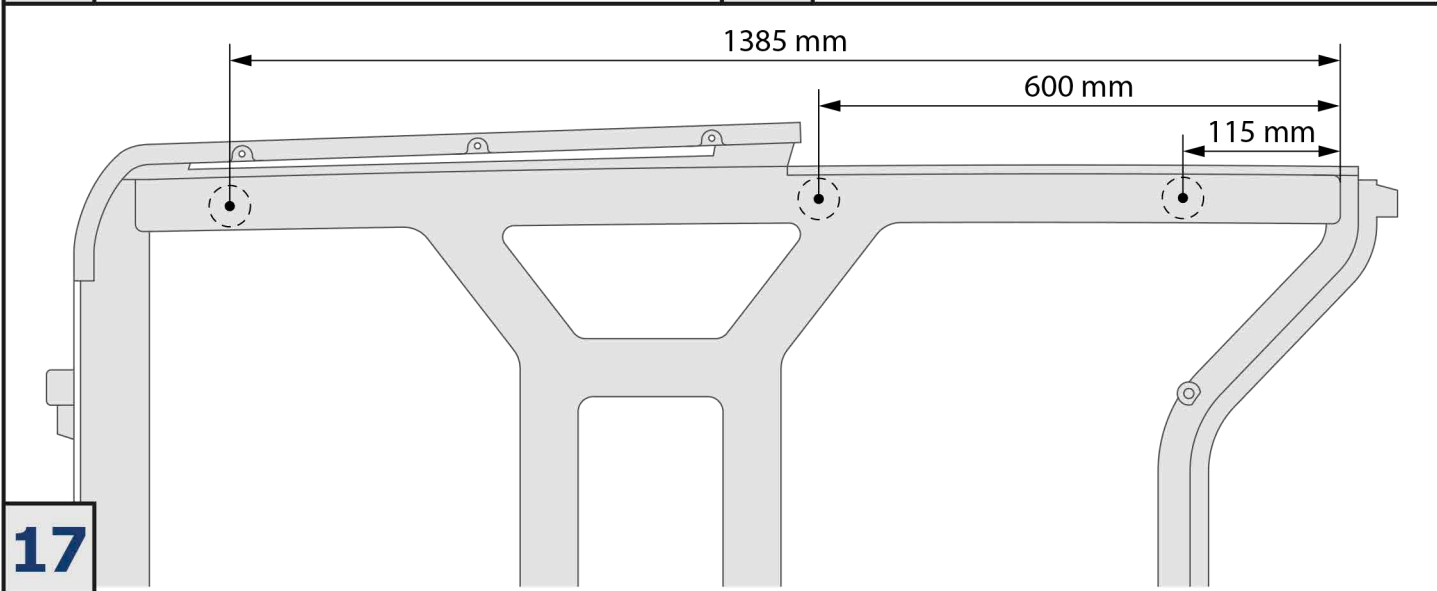
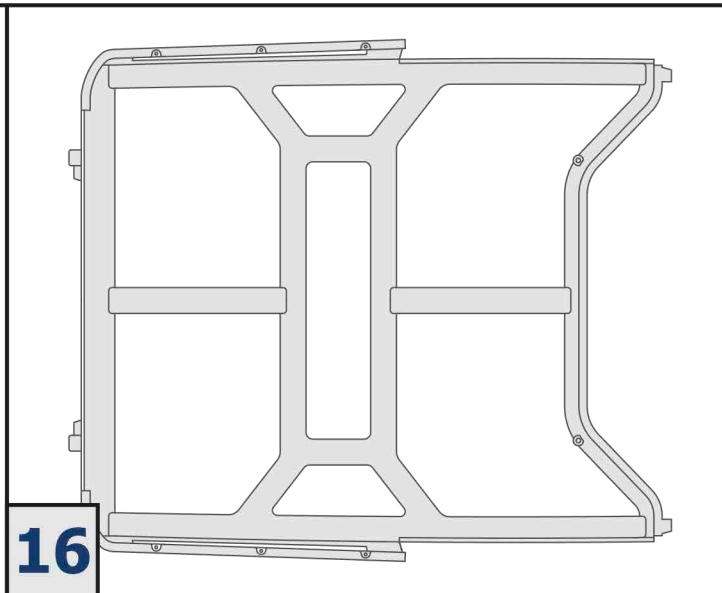
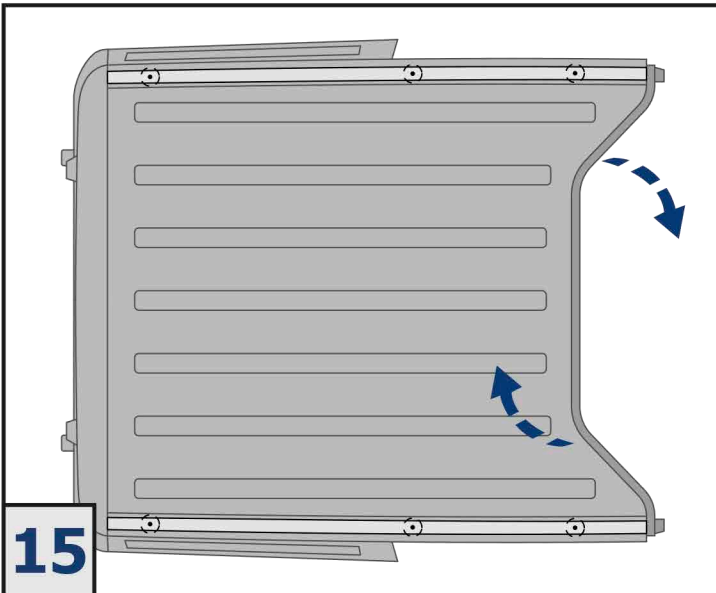
IT IS CRITICAL THAT ALL RIVAL PRODUCTS BE PROPERLY AND SECURELY ASSEMBLED AND ATTACHED TO YOUR VEHICLE. IMPROPER ATTACHMENT COULD RESULT IN AN AUTOMOBILE ACCIDENT, AND COULD CAUSE SERIOUS BODILY INJURY OR DEATH TO YOU OR TO OTHERS. YOU ARE RESPONSIBLE FOR ASSEMBLING AND SECURING ALL RIVAL PRODUCTS TO YOUR VEHICLE, CHECKING THE ATTACHMENTS PRIOR TO USE, AND PERIODICALLY INSPECTING THE PRODUCTS FOR ADJUSTMENT, WEAR, AND DAMAGE. THEREFORE, YOU MUST READ AND UNDERSTAND ALL OF THE INSTRUCTIONS AND CAUTIONS SUPPLIED WITH YOUR RIVAL PRODUCT PRIOR TO INSTALLATION OR USE. IF YOU DO NOT UNDERSTAND ALL OF THE INSTRUCTIONS AND CAUTIONS, OR IF YOU HAVE NO MECHANICAL EXPERIENCE AND ARE NOT THOROUGHLY FAMILIAR WITH THE INSTALLATION PROCEDURES, YOU SHOULD HAVE THE PRODUCT INSTALLED BY A PROFESSIONAL INSTALLER OR OTHER QUALIFIED PERSONNEL.

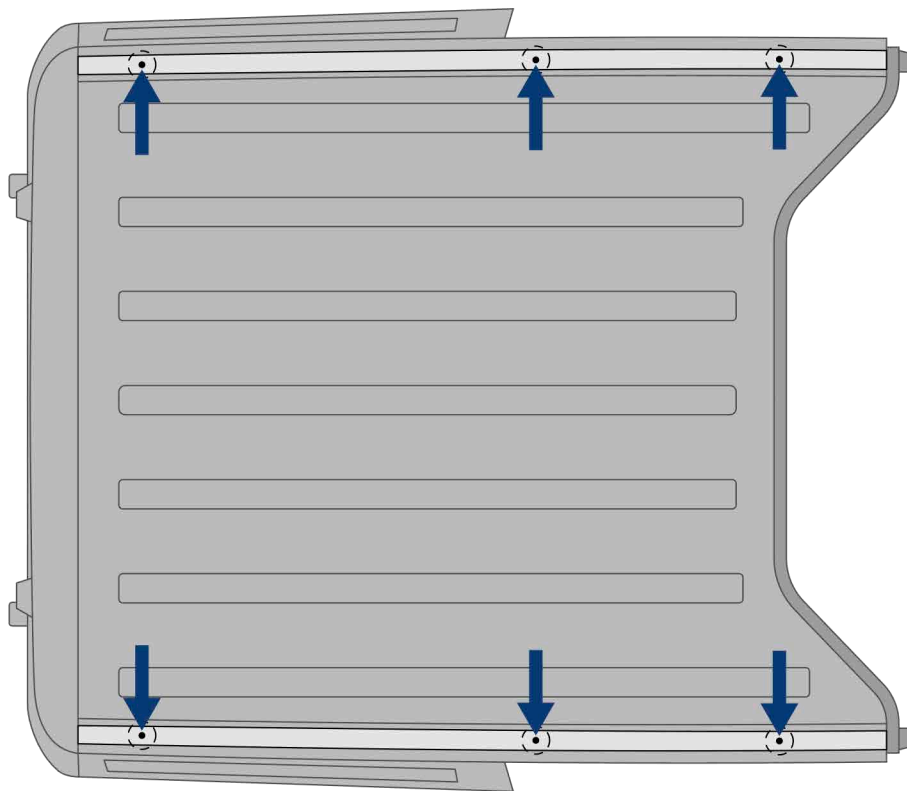




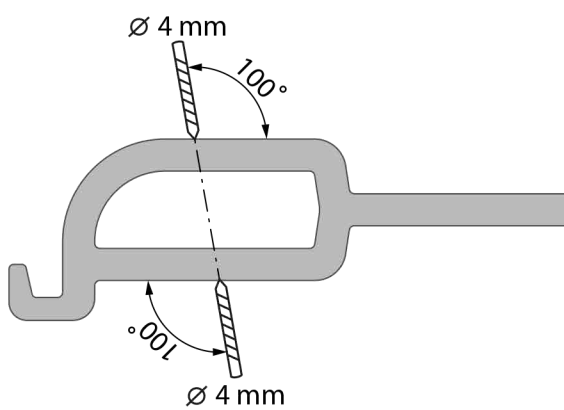
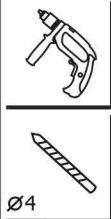




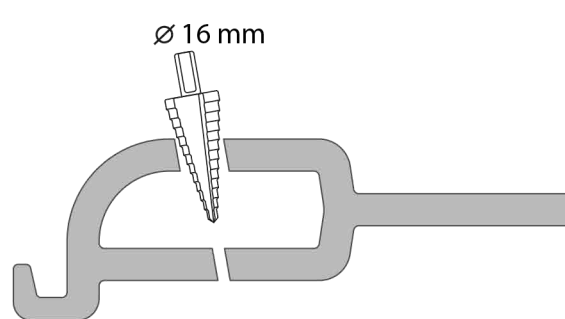
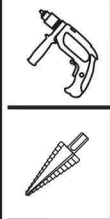




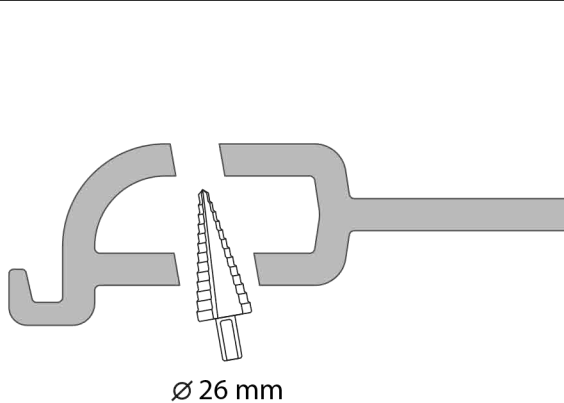
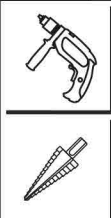
19



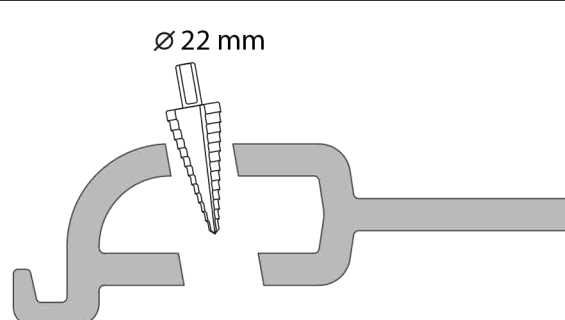
20



21



22



23

