



PRODUCT: **MetalCloak Dead Pedal**

REV: A | 09-19-2023 | II-8900

READ INSTRUCTIONS IN FULL BEFORE INSTALLATION.
QUESTIONS? CALL 916-631-8071 M-F 7:00 AM – 5:00 PM PST

The MetalCloak experience includes the ease of installation of our products. We design for most contingencies, but installation may be different based on different Jeep condition, configuration and/or year.

We are continually trying to improve our products and instructions – please help us by providing feedback and pictures if you find any part of the instructions that do not match your particular Jeep or are not easily understandable.

If you have any difficulties at all, please give us a call. Thank you and enjoy your MetalCloak Products!

IMPORTANT NOTE: We use Stainless Steel Hardware where possible. Therefore, a tube of Silver Anti-seize is provided and should be used on all bolts—only a small amount is needed.

WARRANTY INFORMATION: This article is sold without warranty expressed or implied. No warranty or representation is made as to this products ability to protect the user from injury or death. The user assumes that risk. The effectiveness, warranty and longevity of this equipment are directly related to the manner in which it is INSTALLED, USED and/or MAINTAINED. THE USER ASSUMES ALL RISK. By purchasing this product and opening the packaging, purchasers expressly acknowledge, understand and agree that they take, select and purchase these MetalCloak products from Armored Works, LLC, its affiliates and distributors and agents as is and with all faults. The entire risk as to the quality and performance of these MetalCloak products is with the purchaser. Working on your vehicle can be a dangerous activity. If you are unsure of what you are doing, please leave mechanical or safety critical work to a skilled mechanic. We take no responsibility for the incorrect use and/or installation of MetalCloak products.

Section 1: Tools & Notes on Installation



Tools Required: This list is the recommended tools for ease of installation. Other versions of the same tool can be used. For example, Allen Wrenches instead of Allen Drive Sockets.



Socket & Ratchet Wrench

13MM Deep Socket



7/16" Box Wrench

5/32" Allen Socket



HOW TO USE THIS GUIDE: The installation guide contains ALL steps for installation. Please read and follow the instructions in order of each page top to bottom, and left to right.

Jeep Model: Instructions may apply to multiple Jeep models, but are labeled separately where appropriate (i.e. TJ vs. LJ).

Options: Because of the number of component options we offer, these instructions may contain steps that will not match your particular configuration. You can skip these steps.

Images: Pictures are provided and parts are labeled throughout the instructions. Each text box contains guidance based on the pictures next to it. The text will refer to alphabetical labels (A, B, etc.) found in the images.

Installation Notes: Terms may be used in the body of the instructions that you may not be familiar with, if you have any questions feel free to contact us at the number below, or email techhelp@metalcloak.com

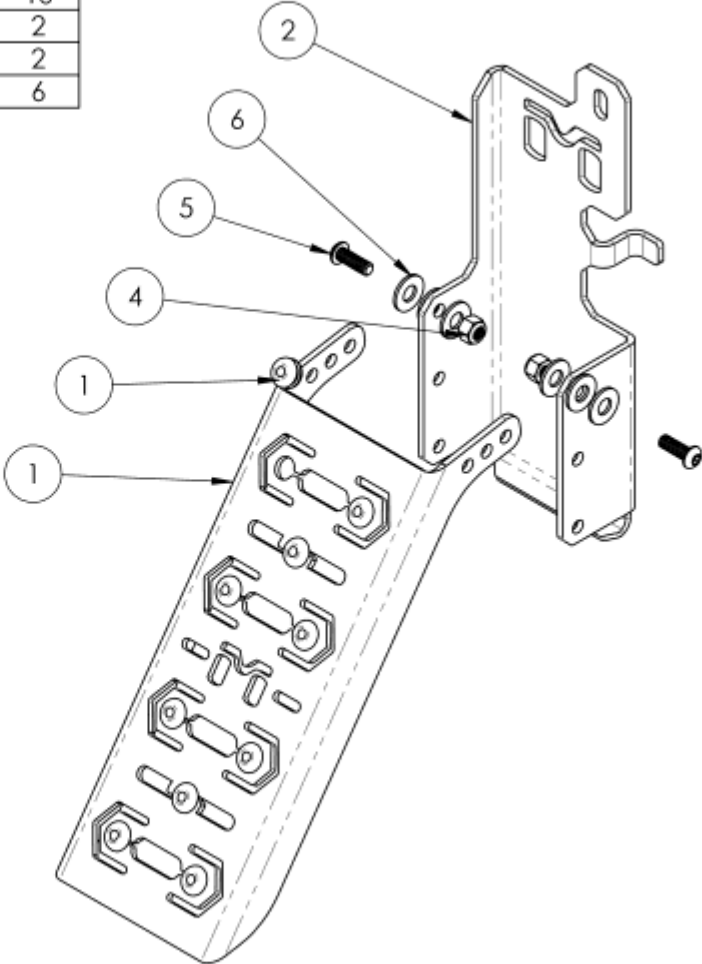
QUESTIONS: Any questions or comments about the instructions? Call us at 916-631-8071 M-F 7:00 AM – 5:00 PM PST.

Section 2: Product Components

DC-0001 Rev B

SHEET 1 OF 1

| ITEM | PART NUMBER/DESCRIPTION | QTY. |
|------|--|------|
| 1 | CP-8900, DEAD PEDAL | 1 |
| 2 | CP-8901 DEAD PEDAL MOUNT, JL | 1 |
| 3 | FA-7001 RUBBER GROMMET .44OD X .13L | 10 |
| 4 | FS-04005 NYLOCK NUT, 0.25-20 X 0.31H STL GF ZINC | 2 |
| 5 | FS-04006 SBHCS, 0.25-20 X 0.75L SS 18-8 PLAIN | 2 |
| 6 | FS-05225 WASHER, 0.34ID X 0.74OD X 0.06TH NYLON | 6 |



THE INFORMATION CONTAINED ON THIS DRAWING IS THE EXCLUSIVE PROPERTY OF ARMORED WORKS, LLC. UNAUTHORIZED REPRODUCTION IS PROHIBITED.
DO NOT SCALE DRAWING

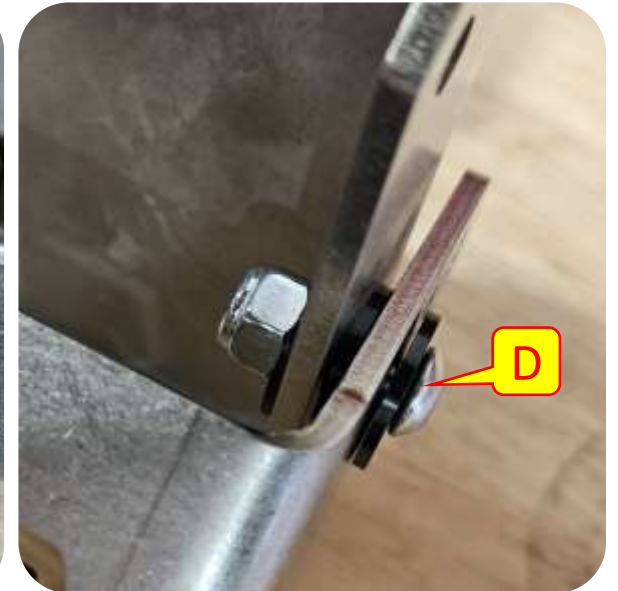
Metal Cloak
 A DIVISION OF ARMORED WORKS, LLC

PART NUMBER/DESCRIPTION
 8900 DEAD PEDAL, JL

Section 3: Installation Instructions

Step 1: Dead Pedal Preparation

- A. In the driver's footwell, remove the nut from the stud on the firewall that is the lowest, leftmost, and body colored with a 13mm deep socket. Save all hardware.
- B. Press all rubber grommets into the appropriate holes on the pedal.
- C. Determine what position you would like your dead pedal in by placing the mount in its mounting location on the firewall and hold up the pedal to get an idea of what position would be most comfortable for you.
- D. Once you have determined which holes to use, remove product from vehicle to install hardware.



Section 3: Installation Instructions

Step 2: Dead Pedal Installation

- E. Using the drawing as reference, mount the pedal to the mount, using the hardware as pictured. Tighten using a 7/16" wrench as well as a 5/32" allen.
- F. Replace the mount in the vehicle against firewall and secure it using the original nut and your 13mm deep socket.

