

JEEP WRANGLER JK (DIESEL) 2 DOOR

No.: 2732.1/6 Fuel tank

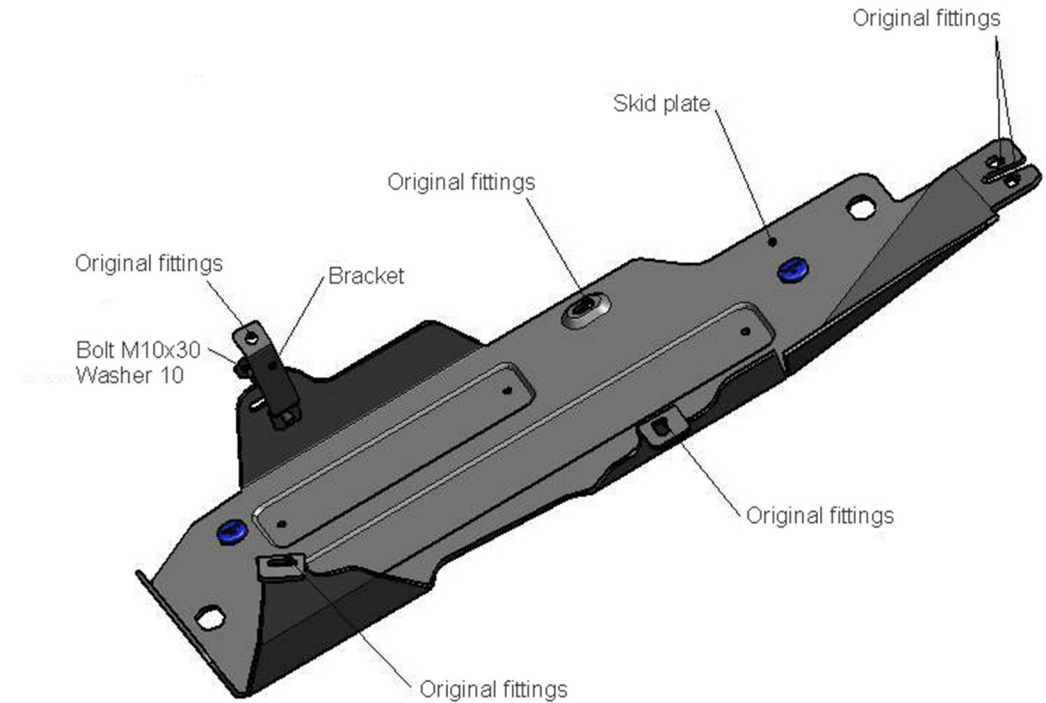
Year: 2007-

Engine: 2.8

Transmission: MT

FITTING KIT

1. Bolt M10x30.....	1 pc
2. Washer 10.....	1 pc
3. Bracket	1 pc



INSTALLATION INSTRUCTIONS

1. RIVAL skid plate is installed over the original plate.
2. Screw rear left out of fuel tank, then mount bracket to these spot with original fittings.
3. Screw original bolts out of fuel tank, then fix skid plate to these points with original fittings.
4. Fix skid plate to mounted bracket with bolt M10x30.
5. Tighten all screws (50 Nm for M10, 30 Nm for M8, 10 Nm for M6). Do not use pneumatic or power tools to tighten.



WWW.RIVAL4X4.COM