

ARCTIC CAT®

SHARE OUR PASSION.™

400 2x4/4x4 EFT



Model Number A2009IDG2BETR (Red - 2x4)
Model Number A2009IDG2BETZ (Cat Green - 2x4)
Model Number A2009IDG4BETR (Red - 4x4)
Model Number A2009IDG4BETG (Green - 4x4)

2009

illustrated parts manual

TABLE OF CONTENTS

2009 ATV 400 2x4/4x4 EFT

Red - 2x4 (Model No. A2009IDG2BETR)

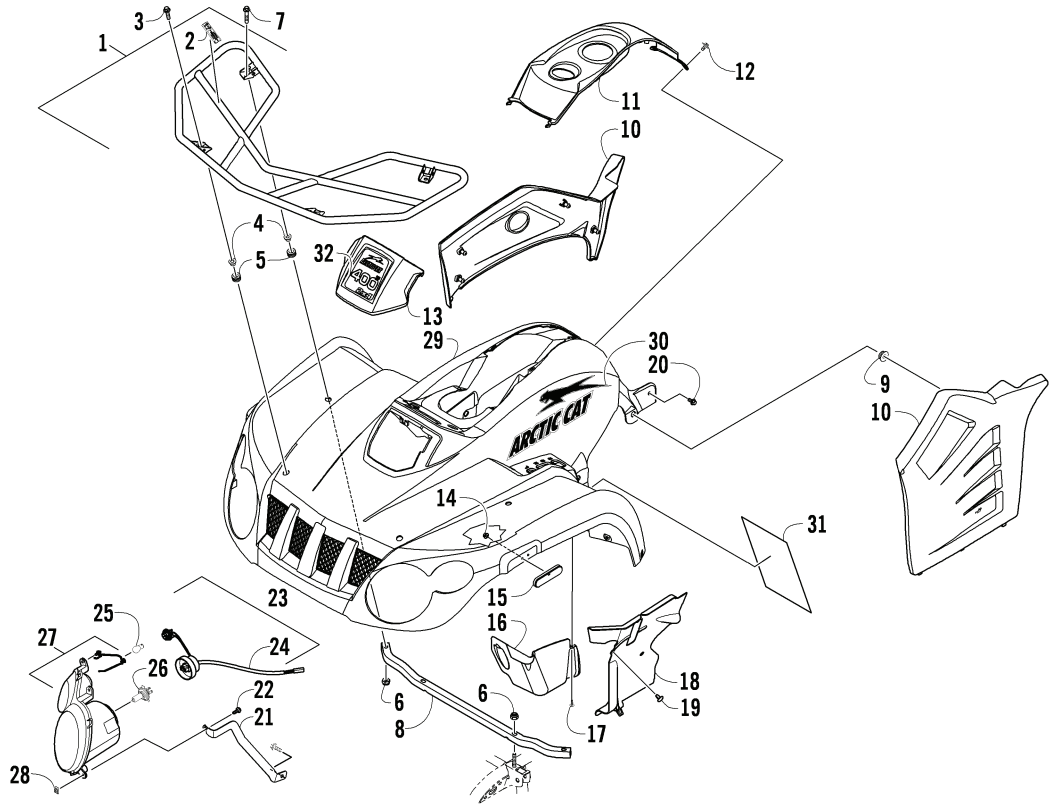
Cat Green - 2x4 (Model No. A2009IDG2BETZ)

Red - 4x4 (Model No. A2009IDG4BETR)

Green - 4x4 (Model No. A2009IDG4BETG)

FRONT BODY, RACK, AND HEADLIGHT ASSEMBLY (2X4)	1
FRONT BODY, RACK, AND HEADLIGHT ASSEMBLY (4X4)	2
REAR BODY, RACK, AND TAILLIGHT ASSEMBLY	3
FRAME AND RELATED PARTS (2X4)	4
FRAME AND RELATED PARTS (4X4)	5
WINCH ASSEMBLY (4X4)	6
LICENSE PLATE HOLDER ASSEMBLY	7
SEAT ASSEMBLY	8
STEERING ASSEMBLY	9
HANDLEBAR ASSEMBLY	10
FRONT SUSPENSION ASSEMBLY (2X4)	11
FRONT SUSPENSION ASSEMBLY (4X4)	12
REAR SUSPENSION ASSEMBLY	13
WHEEL AND TIRE ASSEMBLY	14
BRAKE ASSEMBLY	15
HYDRAULIC HAND BRAKE ASSEMBLY	16
HYDRAULIC BRAKE ASSEMBLY	17
PARKING BRAKE ASSEMBLY	18
GAS TANK ASSEMBLY	19
SHIFT LEVER ASSEMBLY	20
AIR INTAKE ASSEMBLY	21
BATTERY ASSEMBLY	22
ENGINE AND EXHAUST	23
OIL COOLER ASSEMBLY	24
CASE/BELT COOLING ASSEMBLY	25
DRIVE TRAIN ASSEMBLY (2X4)	26
DRIVE TRAIN ASSEMBLY (4X4)	27
FRONT DRIVE GEARCASE ASSEMBLY (4X4)	28
REAR DRIVE GEARCASE ASSEMBLY	29
WIRING HARNESS ASSEMBLY	30
CARBURETOR	31
CYLINDER ASSEMBLY	32
CYLINDER HEAD AND CAMSHAFT/VALVE ASSEMBLY	33
REED VALVE ASSEMBLY	34
CAM CHAIN ASSEMBLY	35
CRANKCASE ASSEMBLY	36
CRANKSHAFT AND PISTON ASSEMBLY	37
CLUTCH/V-BELT/MAGNETO COVER ASSEMBLY	38
STARTER CLUTCH ASSEMBLY	39
CRANK BALANCER ASSEMBLY	40
OIL PUMP AND STRAINER ASSEMBLY	41
TRANSMISSION ASSEMBLY	42
SECONDARY TRANSMISSION ASSEMBLY	43
GEAR SHIFTING ASSEMBLY	44
SECONDARY DRIVE ASSEMBLY (2X4)	45
SECONDARY DRIVE ASSEMBLY (4X4)	46
STARTER MOTOR ASSEMBLY	47
MAGNETO ASSEMBLY	48

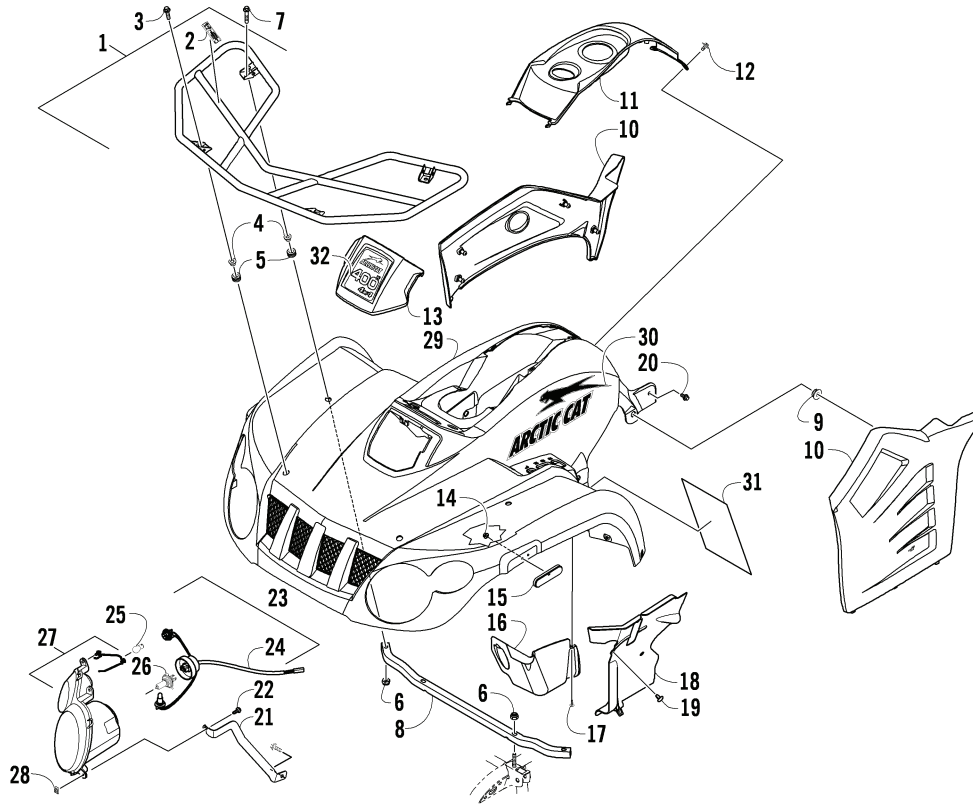
■ **NOTE:** The illustrations used in this Parts Manual are for reference to replacement part numbers only and are not to be used for assembly. For assembly procedures, use an Arctic Cat Service Manual. Underlined part numbers are new for the 2009 model year. For a complete list of related items, refer to the current accessory catalog.



FRONT BODY, RACK, AND HEADLIGHT ASSEMBLY (2X4)

0744-552

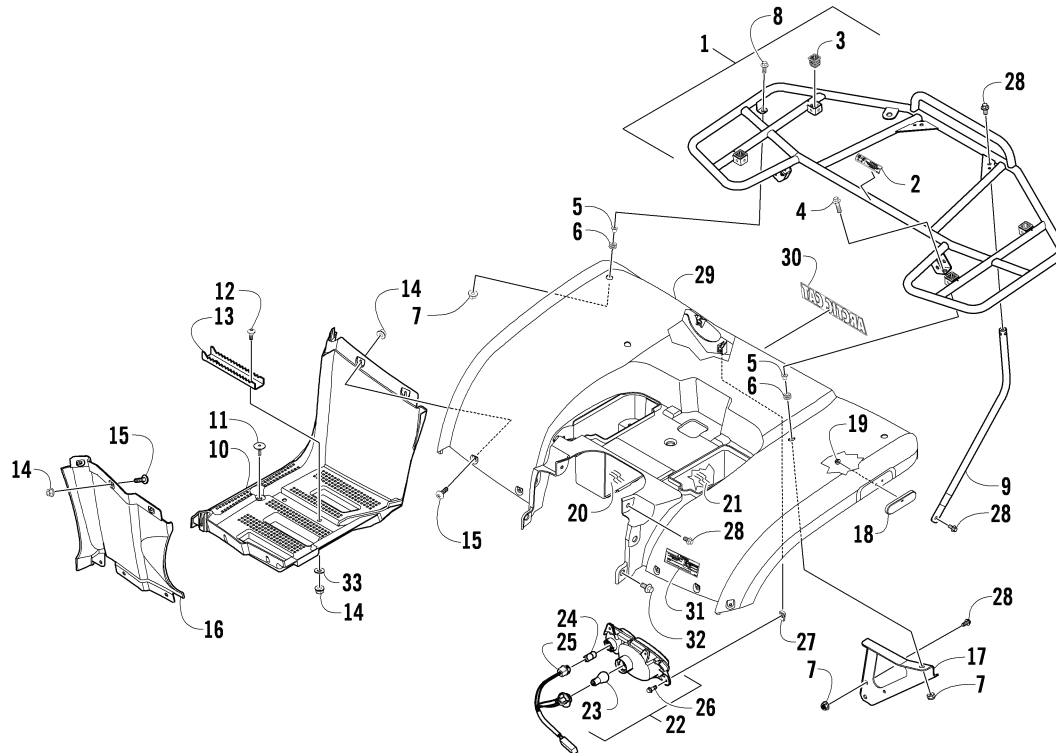
Ref.	Part No.	Qty.	Description	Ref.	Part No.	Qty.	Description
1	3313-372	1	Rack, Front - Assembly (inc. 2)	19	3303-592	2	Clip, Retaining
2	1411-681	1	● Decal, Warning - Load	20	3305-783	2	Screw, Cap
3	3313-713	2	Screw, Cap	21	3313-492	1	Bracket, Support - Headlight - Right
4	0423-669	4	Spacer		3313-493	1	Bracket, Support - Headlight - Left
5	0423-465	4	Grommet	22	3304-029	8	Screw, Cap
6	3304-668	4	Nut, Lock	23	3313-518	1	Headlight - Assembly - Right (inc. 24-27)
7	3313-522	2	Screw, Cap		3313-519	1	Headlight - Assembly - Left (inc. 24-27)
8	3313-469	1	Tube, Mounting	24	3313-501	2	● Socket, Headlight
9	0423-678	10	Grommet	25	3303-847	2	● Bulb
10	3313-192	1	Panel, Side - Lower - Right	26	3303-846	2	● Bulb, Headlight
	3313-193	1	Panel, Side - Lower - Left	27	3313-249	1	● Lens, Headlight - Assembly - Right
11	3313-188	1	Cover, Gas Tank - Red		3313-495	1	● Lens, Headlight - Assembly - Left
	3313-189	1	Cover, Gas Tank - Cat Green (Cat Green)	28	3304-061	8	Clip, U-Nut
12	3304-057	2	Rivet, Plastic	29	3313-182	1	Panel, Fender - Front - Red
13	3313-266	1	Cover, Access - Electrical - Red		3313-183	1	Panel, Fender - Front - Cat Green (Cat Green)
	3313-267	1	Cover, Access - Electrical - Cat Green (Cat Green)	30	1411-634	1	Decal, Side - Upper Right
14	3304-774	2	Nut, Lock		1411-635	1	Decal, Side - Upper Left
15	3313-359	2	Reflector	31	3304-806	1	Decal, Warning - General
16	3313-466	1	Shield, Linkage	32	1411-928	1	Decal, Instrument Pod
17	3304-650	3	Screw, Self-Tapping				
18	3313-444	1	Panel, Splash - Right				
	3313-445	1	Panel, Splash - Left				



FRONT BODY, RACK, AND HEADLIGHT ASSEMBLY (4X4)

0744-558

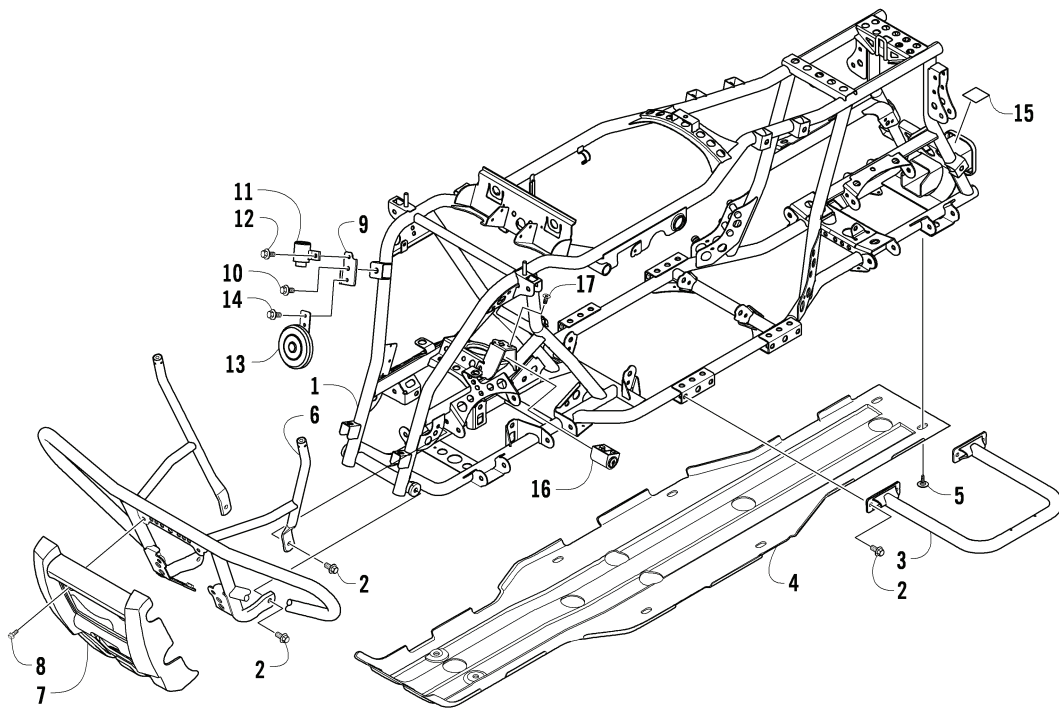
Ref.	Part No.	Qty.	Description	Ref.	Part No.	Qty.	Description
1	3313-372	1	Rack, Front - Assembly (inc. 2)	19	3303-592	2	Clip, Retaining
2	1411-681	1	● Decal, Warning - Load	20	3305-783	2	Screw, Cap
3	3313-713	2	Screw, Cap	21	3313-492	1	Bracket, Support - Headlight - Right
4	0423-669	4	Spacer		3313-493	1	Bracket, Support - Headlight - Left
5	0423-465	4	Grommet	22	3304-029	8	Screw, Cap
6	3304-668	4	Nut, Lock	23	3313-518	1	Headlight - Assembly - Right (inc. 24-27)
7	3313-522	2	Screw, Cap		3313-519	1	Headlight - Assembly - Left (inc. 24-27)
8	3313-469	1	Tube, Mounting	24	3313-501	2	● Socket, Headlight
9	0423-678	10	Grommet	25	3303-847	2	● Bulb
10	3313-192	1	Panel, Side - Lower - Right	26	3303-846	2	● Bulb, Headlight
	3313-193	1	Panel, Side - Lower - Left	27	3313-249	1	● Lens, Headlight - Assembly - Right
11	3313-188	1	Cover, Gas Tank - Red		3313-495	1	● Lens, Headlight - Assembly - Left
	3313-190	1	Cover, Gas Tank - Green (Green)	28	3304-061	8	Clip, U-Nut
12	3304-057	2	Rivet, Plastic	29	3313-182	1	Panel, Fender - Front - Red
13	3313-266	1	Cover, Access - Electrical - Red		3313-184	1	Panel, Fender - Front - Green (Green)
	3313-268	1	Cover, Access - Electrical - Green (Green)	30	1411-634	1	Decal, Side - Upper Right
14	3304-774	2	Nut, Lock		1411-635	1	Decal, Side - Upper Left
15	3313-359	2	Reflector	31	3304-806	1	Decal, Warning - General
16	3313-466	1	Shield, Linkage	32	1411-927	1	Decal, Instrument Pod
17	3304-650	3	Screw, Self-Tapping				
18	3313-444	1	Panel, Splash - Right				
	3313-445	1	Panel, Splash - Left				



REAR BODY, RACK, AND TAILLIGHT ASSEMBLY

0744-559

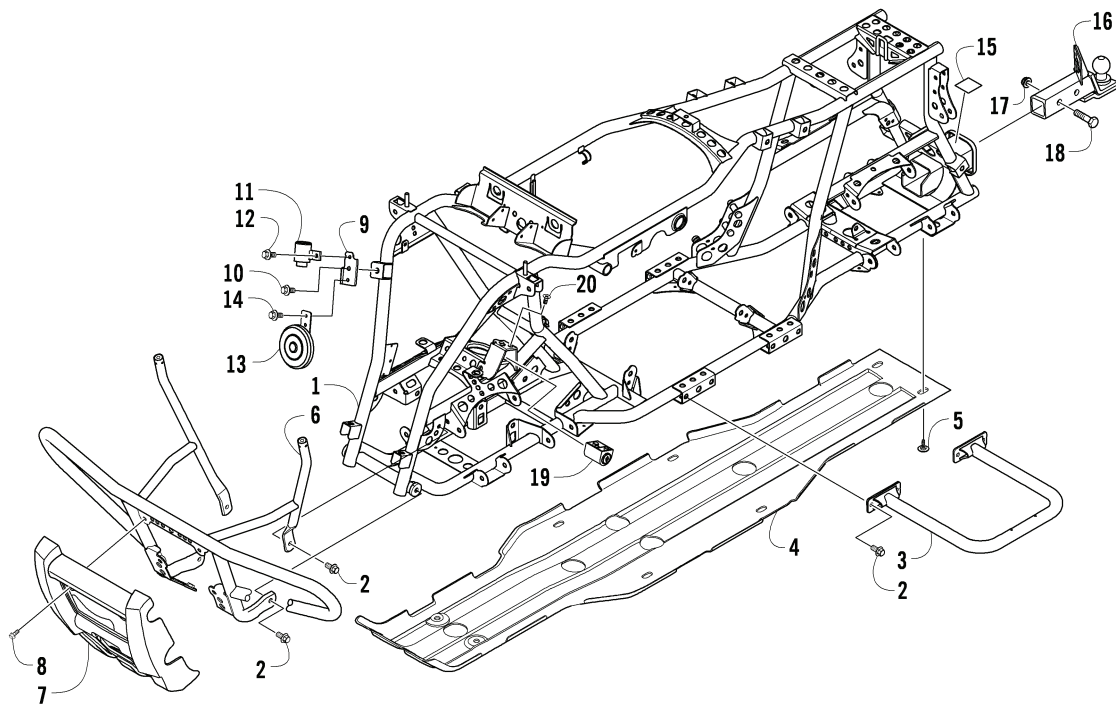
Ref.	Part No.	Qty.	Description	Ref.	Part No.	Qty.	Description
1	3313-373	1	Rack, Rear - Assembly (inc. 2-3)	19	3304-774	2	Nut, Lock
2	1411-682	1	● Decal, Warning - Load	20	<u>3313-674</u>	1	Foil, Protective - Right
3	0441-592	4	● Bushing	21	<u>3313-675</u>	1	Foil, Protective - Left
4	8410-830	2	Screw, Cap	22	3313-392	1	Taillight Assembly - Right (inc. 23-25)
5	0423-669	4	Spacer	23	3313-393	1	Taillight Assembly - Left (inc. 23-25)
6	0423-465	4	Grommet	24	3303-849	2	● Bulb, Taillight
7	3304-668	8	Nut, Lock	24	<u>3313-712</u>	2	● Bulb, Turn Signal
8	3313-522	2	Screw, Cap	25	<u>3313-509</u>	1	● Socket, Taillight - Right
9	3313-449	2	Tube, Mounting	25	<u>3313-507</u>	1	● Socket, Taillight - Left
10	3313-194	1	Footwell - Rear - Right	26	3304-029	8	Screw, Cap
	3313-195	1	Footwell - Rear - Left	27	3304-061	8	Clip, U-Nut
11	0423-545	2	Screw, Shoulder	28	3304-543	8	Screw, Cap
12	3304-586	4	Screw, Shoulder	29	3313-185	1	Panel, Fender - Rear - Red
13	1506-125	2	Footpeg		3313-186	1	Panel, Fender - Rear - Cat Green (2X4 Cat Green)
14	3304-538	22	Nut, Lock		3313-187	1	Panel, Fender - Rear - Green (4X4 Green)
15	<u>3305-703</u>	18	Screw, Machine	30	1411-725	1	Decal, Rear
16	3313-462	1	Footwell - Front - Right	31	1411-893	1	Decal, Warning - Tire Pressure
	3313-463	1	Footwell - Front - Left	32	3305-783	2	Screw, Cap
17	3313-352	1	Bracket, Mounting - Rear Rack - Right	33	3305-852	4	Washer
	3313-353	1	Bracket, Mounting - Rear Rack - Left				
18	3313-359	2	Reflector				



FRAME AND RELATED PARTS (2X4)

0744-565

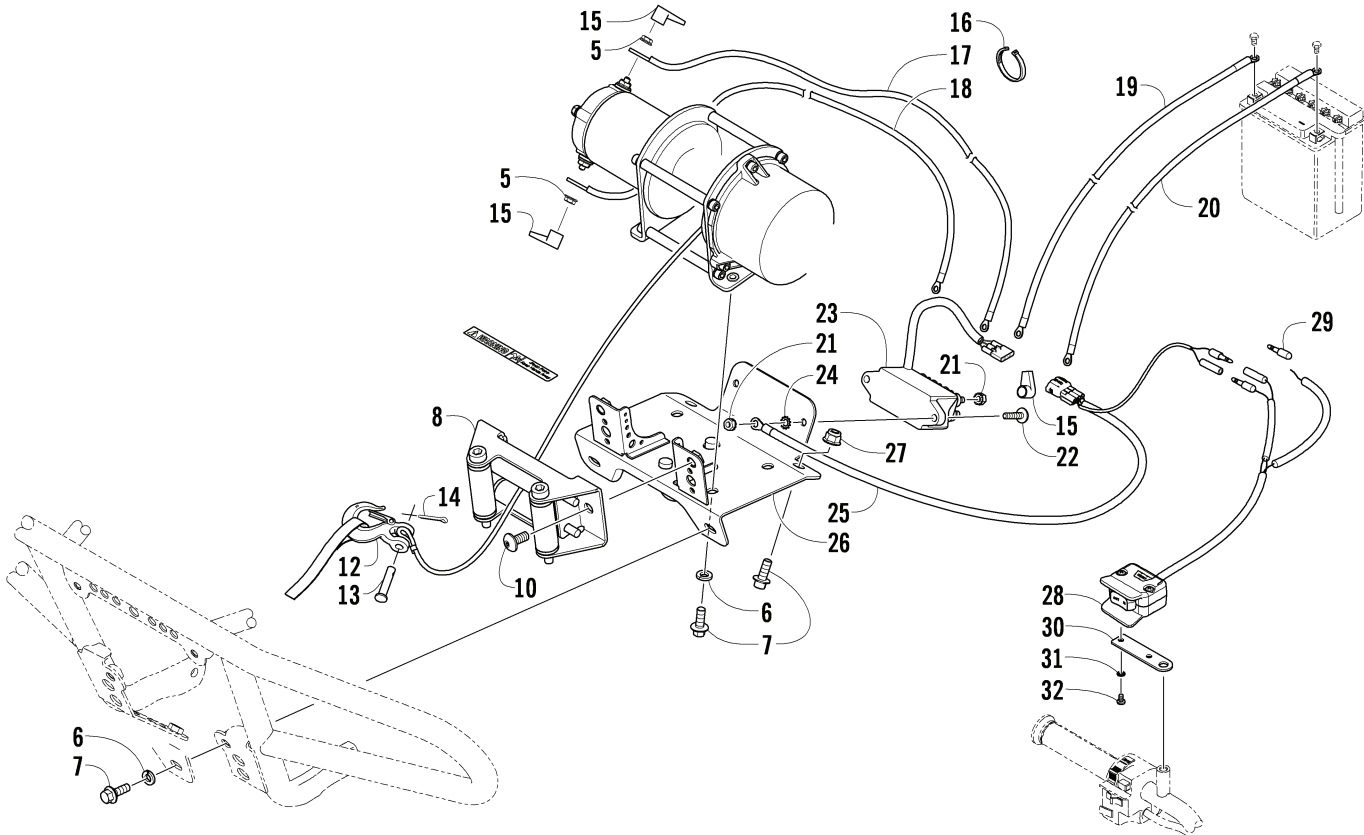
Ref.	Part No.	Qty.	Description	Ref.	Part No.	Qty.	Description
1	3313-545	1	Frame, Main	10	3304-544	1	Screw, Cap
2	3304-543	12	Screw, Cap	11	3313-578	1	Relay, Turn Signal
3	3313-351	2	Footrest	12	3305-344	1	Screw, Cap
4	3313-234	1	Panel, Belly	13	3313-576	1	Horn, Electric - 12V
5	0423-545	10	Screw, Shoulder	14	3304-553	1	Screw, Cap
6	3313-357	1	Bumper - Front	15	1411-077	1	Decal, Warning - Towing
7	3313-697	1	Fascia, Bumper	16	3305-392	1	Lock, Steering
8	3304-587	4	Screw, Cap	17	3305-395	2	Screw, Machine
9	3313-577	1	Bracket, Mounting - Electrical				



FRAME AND RELATED PARTS (4X4)

0744-567

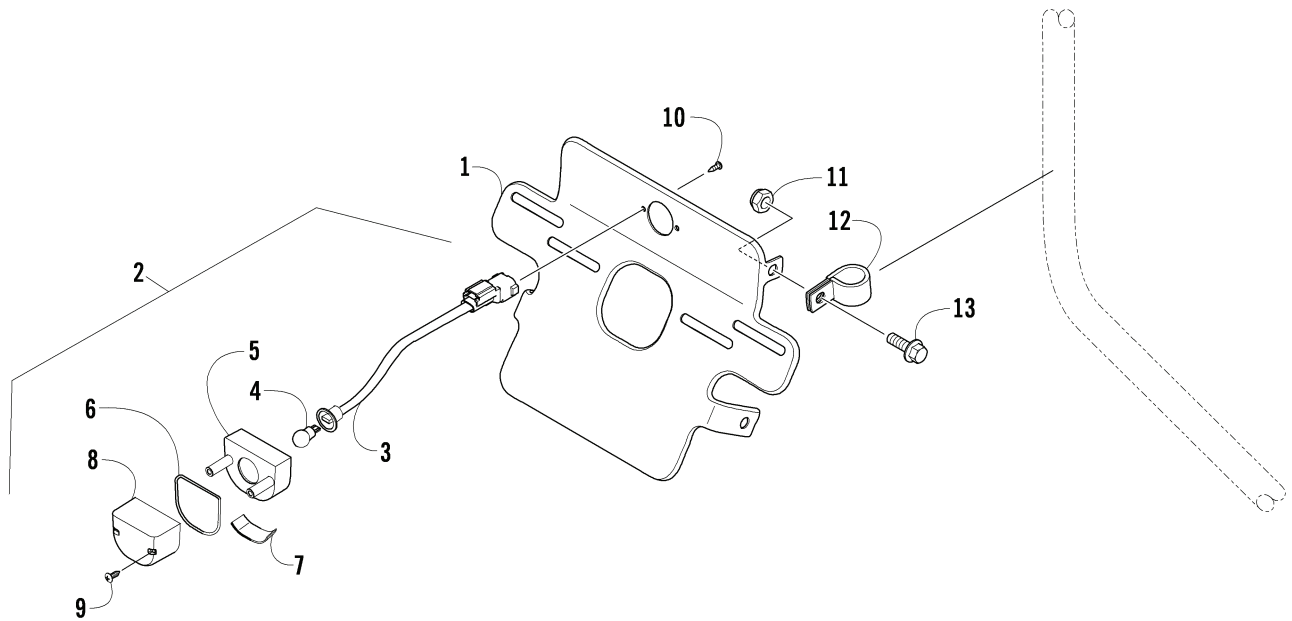
Ref.	Part No.	Qty.	Description	Ref.	Part No.	Qty.	Description
1	3313-714	1	Frame, Main	11	3313-578	1	Relay, Turn Signal
2	3304-543	12	Screw, Cap	12	3305-344	1	Screw, Cap
3	3313-351	2	Footrest	13	3313-576	1	Horn, Electric - 12V
4	3313-234	1	Panel, Belly	14	3304-553	1	Screw, Cap
5	0423-545	10	Screw, Shoulder	15	1411-077	1	Decal, Warning - Towing
6	3313-357	1	Bumper - Front	16	0541-766	1	Mount, Ball Hitch (inc. 17-18)
7	3313-697	1	Fascia, Bumper	17	0423-690	1	● Nut, Lock
8	3304-587	4	Screw, Cap	18	0423-693	1	● Screw, Cap
9	3313-577	1	Bracket, Mounting - Electrical	19	3305-392	1	Lock, Steering
10	3304-544	1	Screw, Cap	20	3305-395	2	Screw, Machine



WINCH ASSEMBLY (4X4)

0744-569

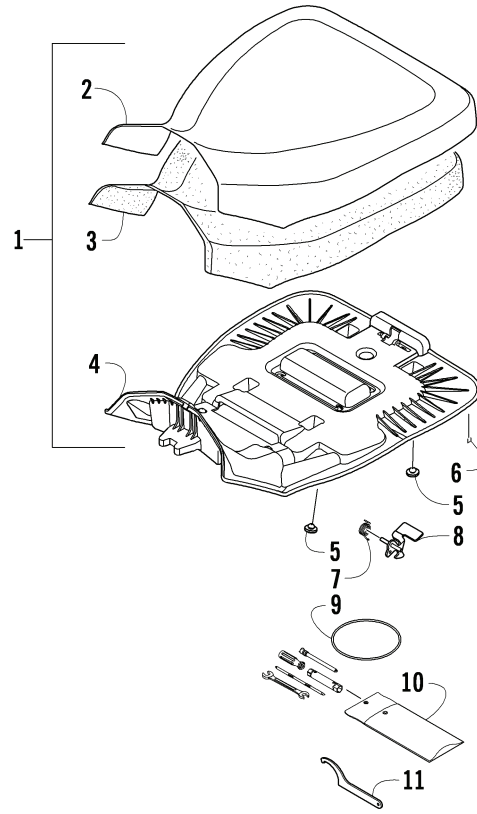
Ref.	Part No.	Qty.	Description	Ref.	Part No.	Qty.	Description
1	1441-830	1	Winch (inc. 2-5)	16	0123-903	AR	Tie, Cable - 11.5 in.
2	2411-141	1	● Decal, Warning - Tension	17	0445-072	1	Cable, Winch/Solenoid - Yellow
3	2411-140	1	● Decal, Warning - Operation	18	0445-073	1	Cable, Winch/Solenoid - Blue
4	1441-831	1	● Cable	19	0445-075	1	Cable, Solenoid/Battery - Red
5	1423-006	2	● Nut w/Washer - ¼ in. (Original Winch)	20	0445-074	1	Cable, Solenoid/Battery - Black
	0623-038	2	● Nut w/Washer - 6 mm (Replacement/Accessory Winch)	21	0623-038	6	Nut w/Washer
6	8051-247	6	Washer, Lock	22	8476-625	2	Screw, Machine
7	8408-820	8	Screw, Cap	23	0409-066	1	Solenoid
8	0441-403	1	Roller (inc. 9)	24	8053-212	1	Washer, External Tooth Lock
9	0411-474	1	● Decal, Warning - Pinch Point	25	0486-276	1	Harness, Adapter - Solenoid
10	8468-820	2	Screw, Machine	26	0541-622	1	Plate, Winch
11	1441-781	1	Strap	27	8427-802	2	Nut, Lock
12	1441-833	1	Hook, Winch	28	0409-118	1	Switch
13	1441-834	1	Pin	29	1441-428	1	Connector
14	0623-175	1	Cotter Pin	30	0505-551	1	Bracket, Switch
15	0645-019	3	Boot, Terminal	31	8052-093	2	Washer, Internal Tooth Lock
				32	8009-243	2	Screw, Machine



LICENSE PLATE HOLDER ASSEMBLY

0744-570

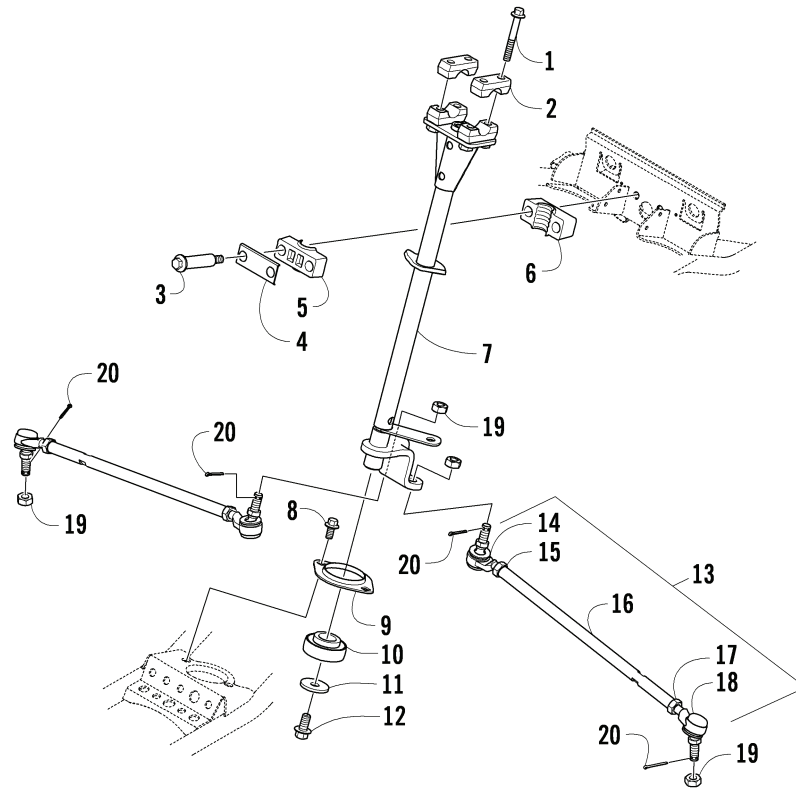
Ref.	Part No.	Qty.	Description	Ref.	Part No.	Qty.	Description
1	2506-808	1	Holder, License Plate	8	3305-365	1	● Cover
2	3304-772	1	Light Assembly (inc. 3-9)	9	3305-399	2	● Screw, Self-Tapping
3	3305-369	1	● Harness	10	3304-651	2	Screw, Self-Tapping
4	3303-847	1	● Bulb	11	3304-668	4	Nut, Lock
5	3305-367	1	● Base	12	3313-606	4	Clamp
6	3305-366	1	● Seal	13	3304-543	4	Screw, Cap
7	3305-368	1	● Lens				



SEAT ASSEMBLY

0744-571 *Not a Service Part **Optional

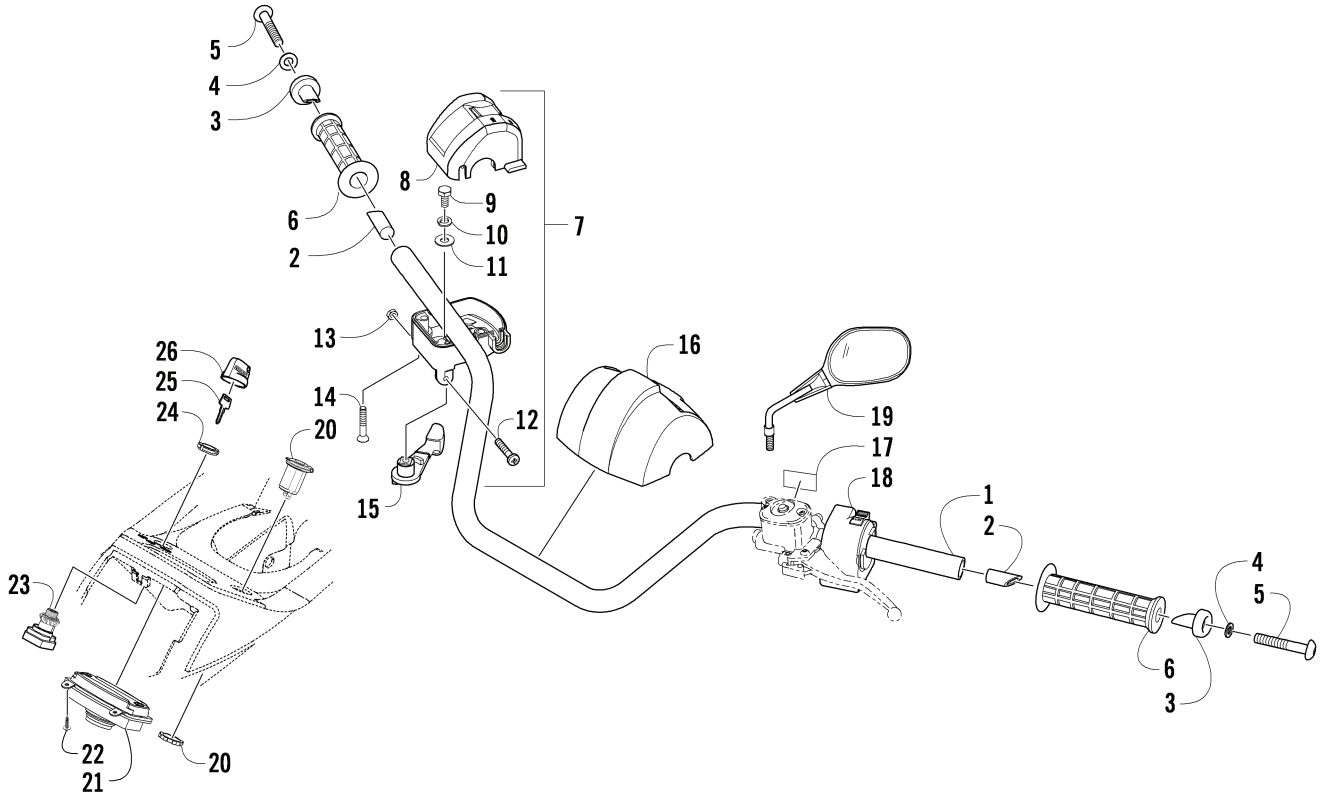
Ref.	Part No.	Qty.	Description	Ref.	Part No.	Qty.	Description
1	3313-199	1	Seat Assembly (inc. 2-8)	7	1406-592	1	● Spring, Seat Latch
2	*	1	● Cover, Seat	8	1506-156	1	● Latch, Seat
3	3313-198	1	● Foam, Seat	9	3313-236	1	Retainer, Tool Kit
4	3313-196	1	● Base, Seat	10	<u>3305-913</u>	1	Kit, Tool
5	0406-877	6	● Bumper, Seat	11	1441-797	1	Wrench, Spanner**
6	0624-528	AR	● Staple				



STEERING ASSEMBLY

0744-573 *Not a Service Part

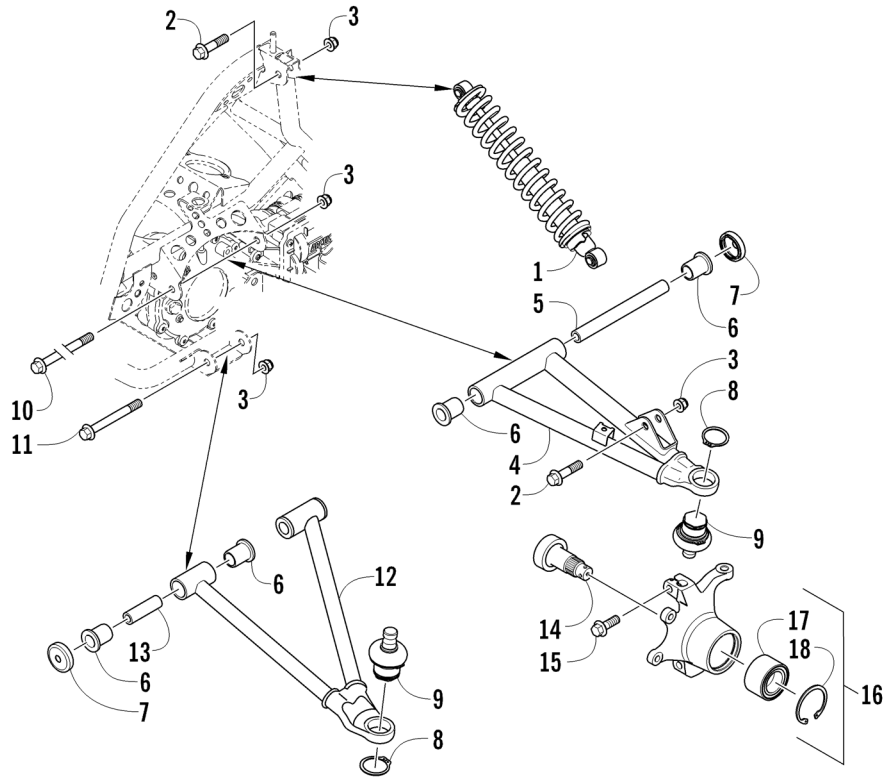
Ref.	Part No.	Qty.	Description	Ref.	Part No.	Qty.	Description
1	8408-860	4	Screw, Cap	11	0423-073	1	Washer
2	0405-035	2	Cap, Steering Adjuster	12	8408-820	1	Screw, Cap
3	0423-505	2	Screw, Shoulder	13	3313-102	2	Tie Rod - Assembly (inc. 14-18)
4	0405-166	1	Cap, Housing	14	*	2	● End, Tie Rod - Left-Hand Thread
5	3323-052	1	Housing - Upper	15	*	2	● Nut - Left-Hand Thread
6	3323-051	1	Housing - Lower	16	*	2	● Tie Rod
7	3313-583	1	Post, Steering	17	*	2	● Nut - Right-Hand Thread
8	3304-565	2	Screw, Cap	18	*	2	● End, Tie Rod - Right-Hand Thread
9	0602-233	1	Flange, Bearing	19	0423-157	4	Nut, Lock
10	0405-052	1	Bearing w/Inverted Oil Seal	20	3303-621	4	Pin, Cotter



HANDLEBAR ASSEMBLY

0744-574

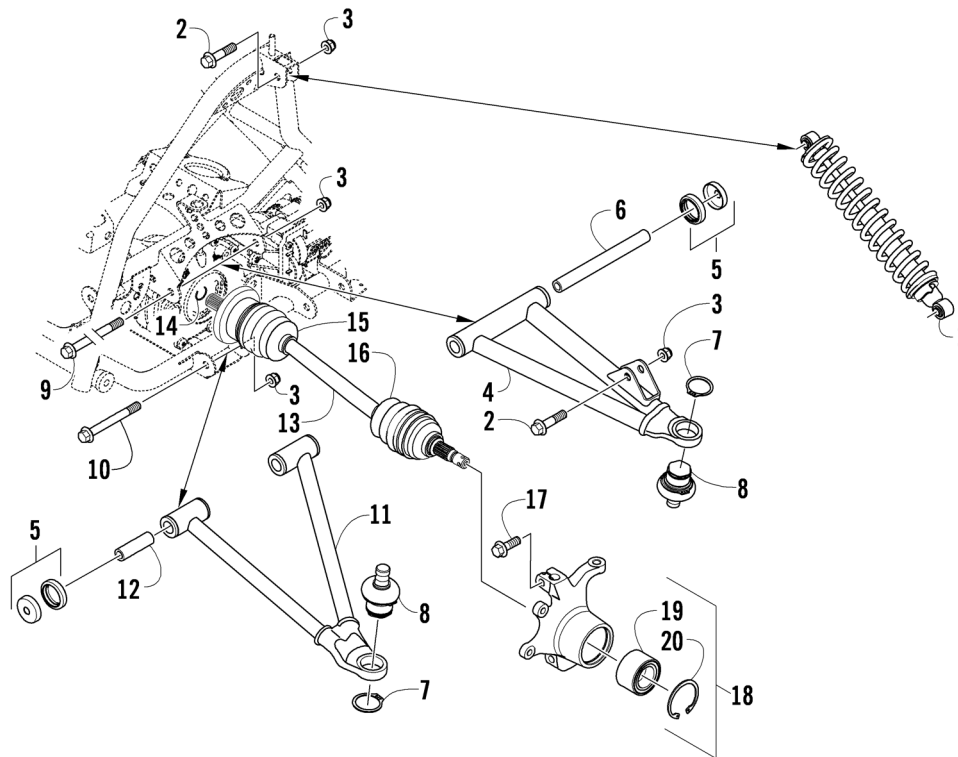
Ref.	Part No.	Qty.	Description	Ref.	Part No.	Qty.	Description
1	3313-580	1	Handlebar	14	3423-199	2	● Screw, Machine
2	0405-148	2	Plug, Handlebar	15	3409-001	1	● Lever
3	0405-149	2	End Cap, Handlebar	16	3313-457	1	Cover, Post - Steering
4	8050-247	2	Washer	17	1411-865	1	Decal, Brake Lever Lock
5	8477-845	2	Screw, Machine	18	3313-581	1	Switch, Control - Assembly
6	0405-147	2	Grip, Handlebar	19	3304-803	1	Mirror Assembly - Right
7	3313-429	1	Case, Throttle - Assembly (inc. 8-15) (2X4)		3304-816	1	Mirror Assembly - Left
	0509-012	1	Case, Throttle - Assembly (inc. 8-15) (4X4)	20	3313-468	1	Outlet, Accessory - 12V
8	0409-048	1	● Cover, Throttle Case w/Switch	21	3313-678	1	Speedometer - Assembly
9	3007-392	1	● Screw, Cap	22	3304-650	3	Screw, Self-Tapping
10	3004-447	1	● Washer, Lock	23	3313-677	1	Switch, Ignition - Assembly (inc. 24-26)
11	3003-030	1	● Washer	24	0430-050	1	● Nut, Flange - Ignition Switch
12	3423-014	1	● Screw, Machine	25	3409-007	1	● Key, Ignition - Blank (C Series)
13	3423-327	1	● Nut	26	0430-054	1	● Cover, Key



FRONT SUSPENSION ASSEMBLY (2X4)

0744-575

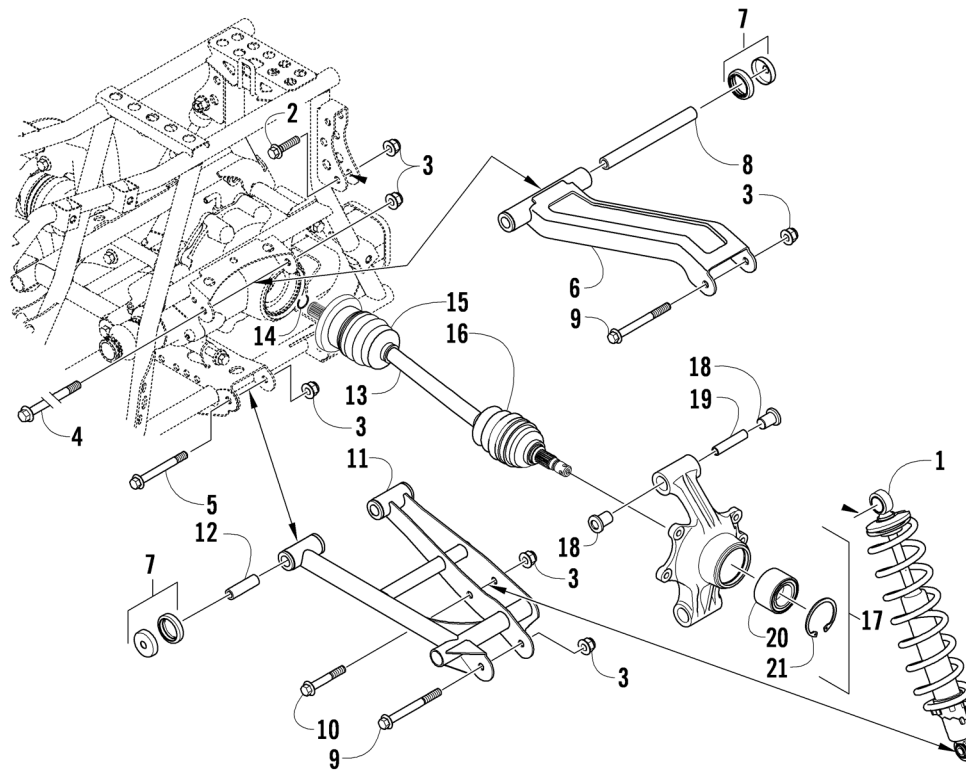
Ref.	Part No.	Qty.	Description	Ref.	Part No.	Qty.	Description
1	3313-330	2	Shock/Spring Assembly - Platinum	12	3313-080	1	A-Arm, Lower Right - Platinum
2	3303-376	4	Screw, Cap				(inc. 6-9 and 13)
3	3304-031	10	Nut, Lock		3313-081	1	A-Arm, Lower Left - Platinum
4	3313-084	1	A-Arm, Upper Right - Platinum (inc. 5-9)				(inc. 6,9 and 13)
	3313-085	1	A-Arm, Upper Left - Platinum (inc. 5-9)	13	3313-107	4	● Axle
5	3313-679	2	● Axle	14	3313-656	2	Shaft, Stub
6	3313-112	12	● Bushing	15	8409-030	4	Screw, Cap
7	3313-113	12	● Seal	16	0505-460	1	Knuckle - Assembly - Right (inc. 17-18)
8	0423-009	4	● Ring, Retaining		0505-461	1	Knuckle - Assembly - Left (inc. 17-18)
9	0405-115	4	● Ball Joint	17	1402-027	2	● Bearing
10	3313-430	2	Screw, Cap	18	0423-423	2	● Ring, Retaining
11	3304-183	4	Screw, Cap				



FRONT SUSPENSION ASSEMBLY (4X4)

0743-587

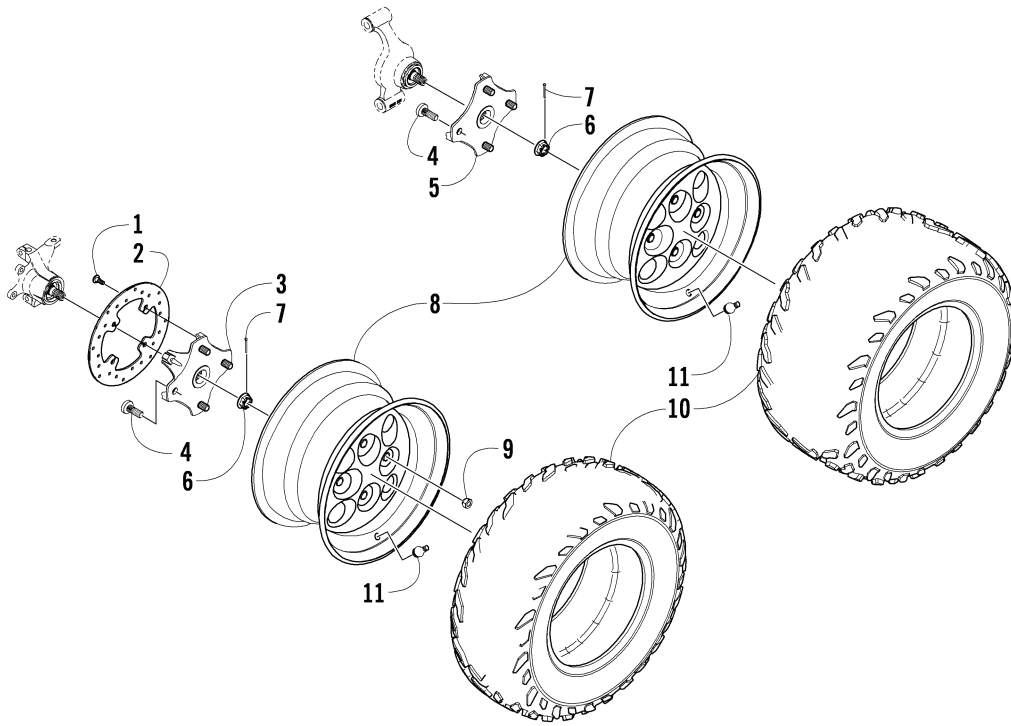
Ref.	Part No.	Qty.	Description	Ref.	Part No.	Qty.	Description
1	3313-330	2	Shock/Spring Assembly - Platinum	3313-083	1	A-Arm, Lower Left - Black	
	3313-331	2	Shock/Spring Assembly - Black (Green)			(inc. 5, 7, 8, and 12) (Green)	
2	3303-376	4	Screw, Cap	12	3313-107	4	● Axle
3	3304-031	10	Nut, Lock	13	<u>3313-698</u>	2	Axle, Drive - Front (inc. 14-16)
4	3313-084	1	A-Arm, Upper Right - Platinum (inc. *, 5-8)	14	<u>0423-844</u>	2	● Clip, Retaining
	3313-085	1	A-Arm, Upper Left - Platinum (inc. *, 5-8)	15	3313-560	1	● Repair Kit, Boot - Drive Axle - Inbound
	3313-086	1	A-Arm, Upper Right - Black	16	3313-558	1	● Repair Kit, Boot - Drive Axle - Outbound
			(inc. *, 5-8) (Green)	17	8409-030	4	Screw, Cap
	3313-087	1	A-Arm, Upper Left - Black	18	0505-460	1	Knuckle - Assembly - Right (inc. 9-20)
			(inc. *, 5-8) (Green)		0505-461	1	Knuckle - Assembly - Left (inc. 19-20)
*	3313-112	12	● Bushing	19	1402-027	2	● Bearing
5	3313-113	12	● Seal	20	0423-423	2	● Ring, Retaining
6	<u>3313-679</u>	2	● Axle				
7	0423-009	4	● Ring, Retaining				
8	0405-115	4	● Ball Joint				
9	3313-430	2	Screw, Cap				
10	3304-183	4	Screw, Cap				
11	3313-080	1	A-Arm, Lower Right - Platinum				
			(inc. 5, 7, 8, and 12)				
	3313-081	1	A-Arm, Lower Left - Platinum				
			(inc. 5, 7, 8, and 12)				
	3313-082	1	A-Arm, Lower Right - Black				
			(inc. 5, 7, 8, and 12) (Green)				



REAR SUSPENSION ASSEMBLY

0743-567

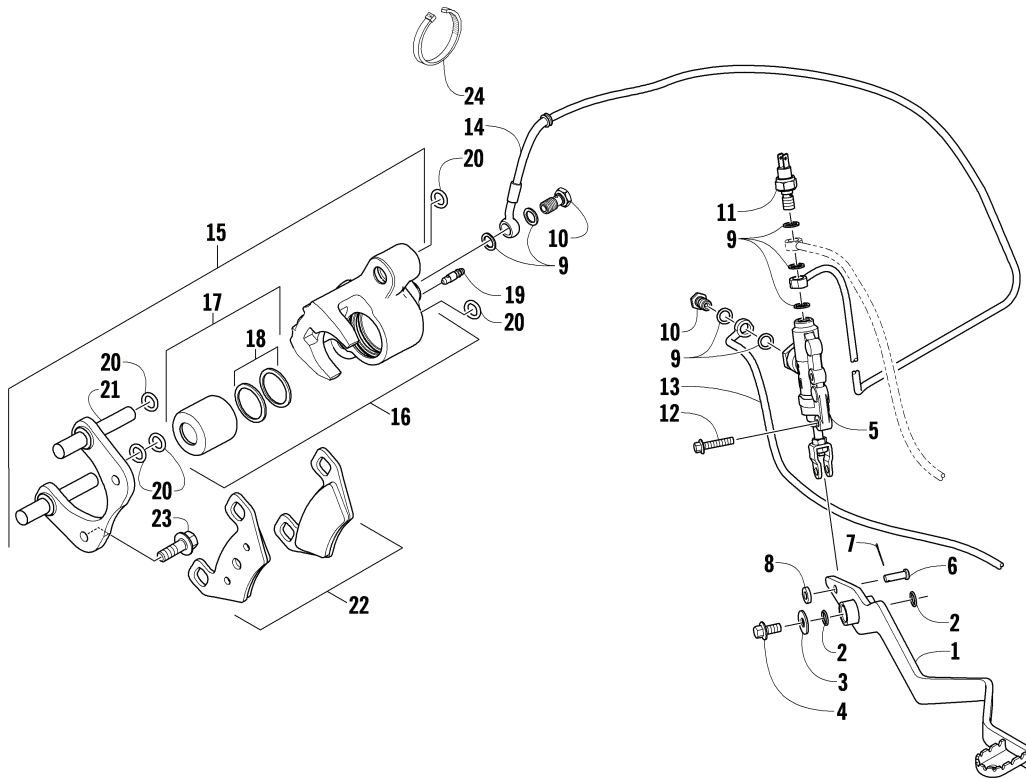
Ref.	Part No.	Qty.	Description	Ref.	Part No.	Qty.	Description
1	3313-541	2	Shock/Spring Assembly - Platinum	3313-137	1	A-Arm, Lower Left - Black	
	3313-150	2	Shock/Spring Assembly - Black (4X4 Green)				(inc. * , 7 and 12) (4X4 Green)
2	3303-376	2	Screw, Cap	12	3313-107	4	● Axle
3	3304-031	14	Nut, Lock	13	3313-448	2	Axle, Drive (inc. 14-16)
4	3313-430	2	Screw, Cap	14	0423-845	2	● Ring, Retaining
5	3304-183	4	Screw, Cap	15	3313-560	1	● Repair Kit, Boot - Drive Axle - Inbound
6	3313-120	1	A-Arm, Upper Right - Platinum (inc. * and 7-8)	16	3313-558	1	● Repair Kit, Boot - Drive Axle - Outbound
	3313-121	1	A-Arm, Upper Left - Platinum (inc. * and 7-8)	17	0504-374	1	Knuckle - Assembly - Right (inc. 18-21)
	3313-122	1	A-Arm, Upper Right - Black (inc. * and 7-8) (4X4 Green)	0504-373	1	Knuckle - Assembly - Left (inc. 18-21)	
	3313-123	1	A-Arm, Upper Left - Black (inc. * and 7-8) (4X4 Green)	18	0403-032	8	● Bushing
*	3313-112	12	● Bushing	19	0403-038	4	● Axle
7	3313-113	12	● Seal	20	1402-027	2	● Bearing
8	3313-679	2	● Axle	21	0423-423	2	● Ring, Retaining
9	8409-000	4	Screw, Cap				
10	8409-065	2	Screw, Cap				
11	3313-134	1	A-Arm, Lower Right - Platinum (inc. * , 7 and 12)				
	3313-135	1	A-Arm, Lower Left - Platinum (inc. * , 7 and 12)				
	3313-136	1	A-Arm, Lower Right - Black (inc. * , 7 and 12) (4X4 Green)				



WHEEL AND TIRE ASSEMBLY

0742-948

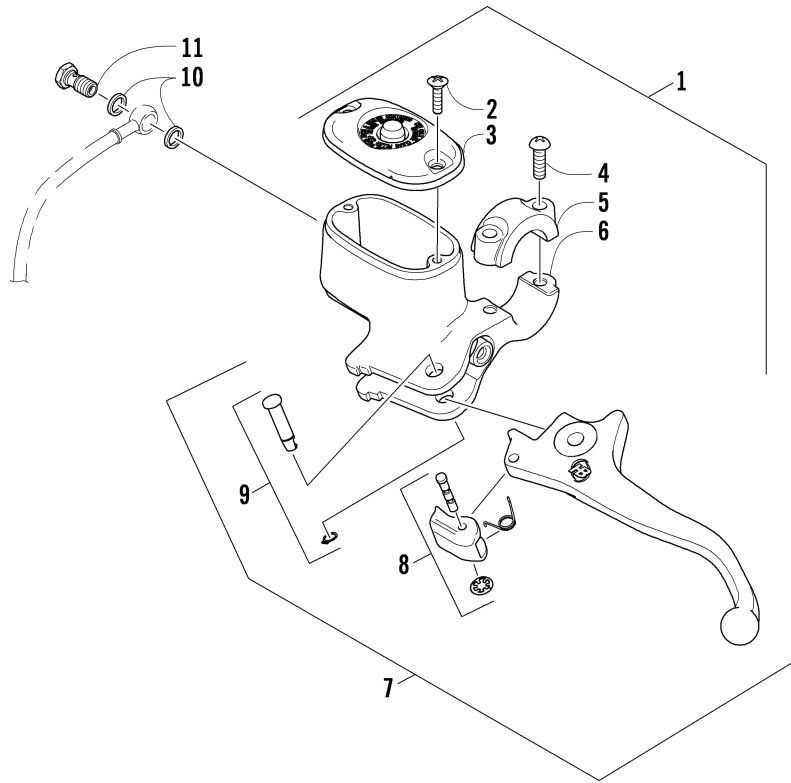
Ref.	Part No.	Qty.	Description	Ref.	Part No.	Qty.	Description
1	0423-557	12	Screw, Shoulder	7	0423-407	4	Pin, Cotter
2	1436-164	3	Disc, Brake	8	3313-306	4	Wheel - Gray
3	3323-100	2	Hub, Wheel - Front (inc. 4)	9	0423-408	16	Nut, Lug
4	0402-974	16	● Stud	10	3313-571	2	Tire - Front
5	3323-100	1	Hub, Wheel - Right Rear (inc. 4)	11	3313-572	2	Tire - Rear
	3323-113	1	Hub, Wheel - Left Rear (inc. 4)		3303-887	4	Stem, Valve
6	0423-607	4	Nut, Castle				



BRAKE ASSEMBLY

0743-563

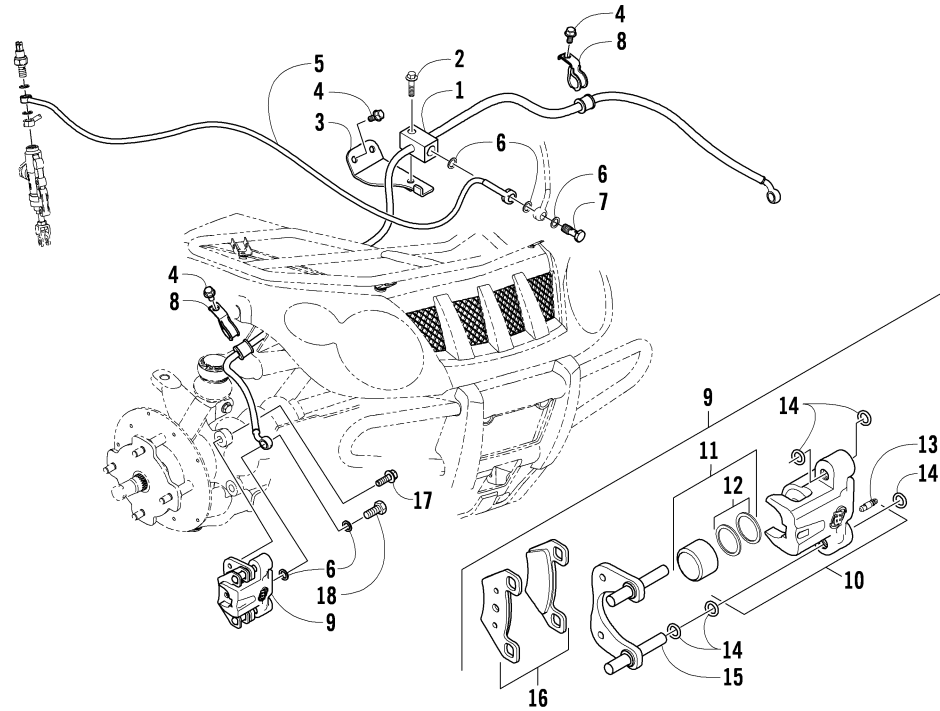
Ref.	Part No.	Qty.	Description	Ref.	Part No.	Qty.	Description
1	3313-156	1	Lever, Brake	13	3313-647	1	Hose, Brakeline
2	1602-213	2	O-Ring	14	<u>3313-681</u>	1	Hose, Brakeline
3	8050-252	1	Washer	15	1436-163	1	Caliper, Brake (inc. 16-22)
4	3304-543	1	Screw, Cap	16	1436-161	1	● Housing, Caliper - Assembly (inc. 17-19)
5	3313-231	1	Master Cylinder	17	0502-606	1	●● Piston/Seal Set (inc. 18)
6	3303-927	1	Pin, Clevis	18	0502-607	1	●●● Seal Set
7	3304-141	1	Split Pin	19	0502-609	1	●● Valve, Bleed
8	3304-050	1	Washer	20	0502-608	1	● O-Ring, Guide - Set
9	3303-284	7	Washer, Crush	21	0502-605	1	● Bracket Assembly
10	3303-257	2	Bolt, Banjo-Fitting	22	1436-165	1	● Pad, Brake - Set
11	<u>3313-680</u>	1	Switch, Brake	23	<u>3305-785</u>	2	Screw, Cap
12	3303-386	2	Screw, Cap	24	0123-788	1	Cable Tie - 8 in.



HYDRAULIC HAND BRAKE ASSEMBLY

0743-042

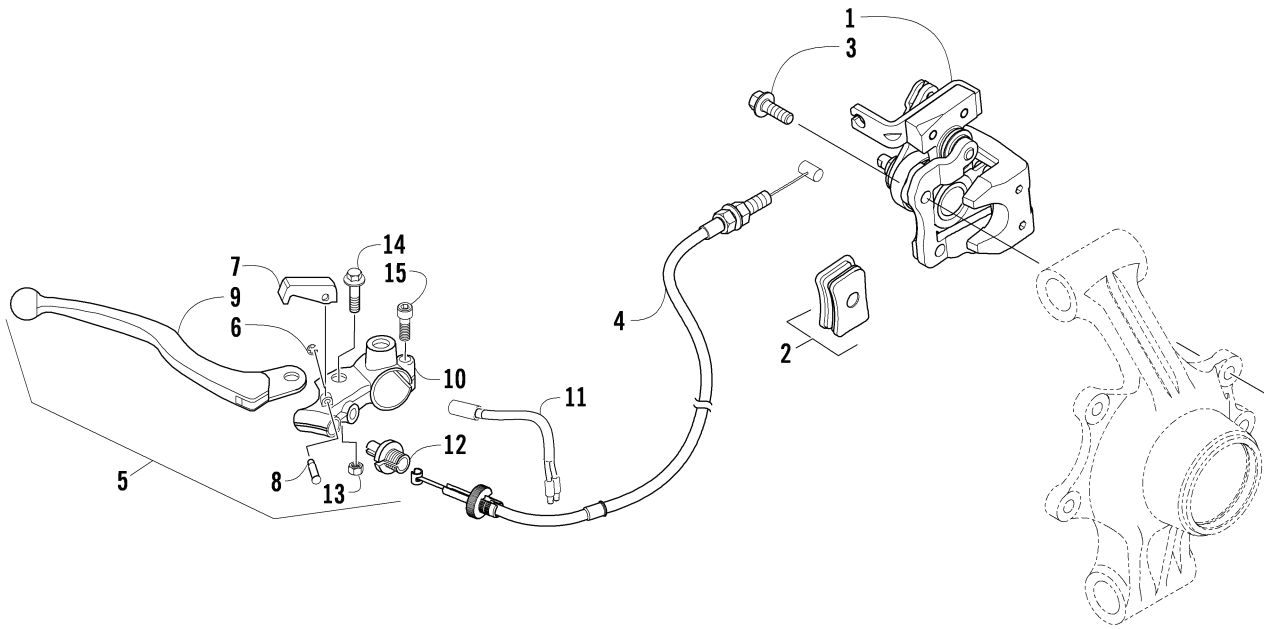
Ref.	Part No.	Qty.	Description	Ref.	Part No.	Qty.	Description
1	3313-316	1	Brake Assembly (inc. 2-9)	7	0502-866	1	● Lever Assembly - Kit (inc. 8-9)
2	0502-566	2	● Screw, Machine	8	0502-867	1	●● Lock, Brake Lever - Kit
3	0502-868	1	● Cover, Reservoir	9	0502-580	1	●● Lever Pin - Kit
4	0502-568	2	● Screw, Machine	10	3303-284	2	Washer, Crush
5	0502-869	1	● Clamp, Master Cylinder	11	3303-257	1	Bolt, Banjo-Fitting
6	0502-704	1	● Master Cylinder Assembly				



HYDRAULIC BRAKE ASSEMBLY

0744-576

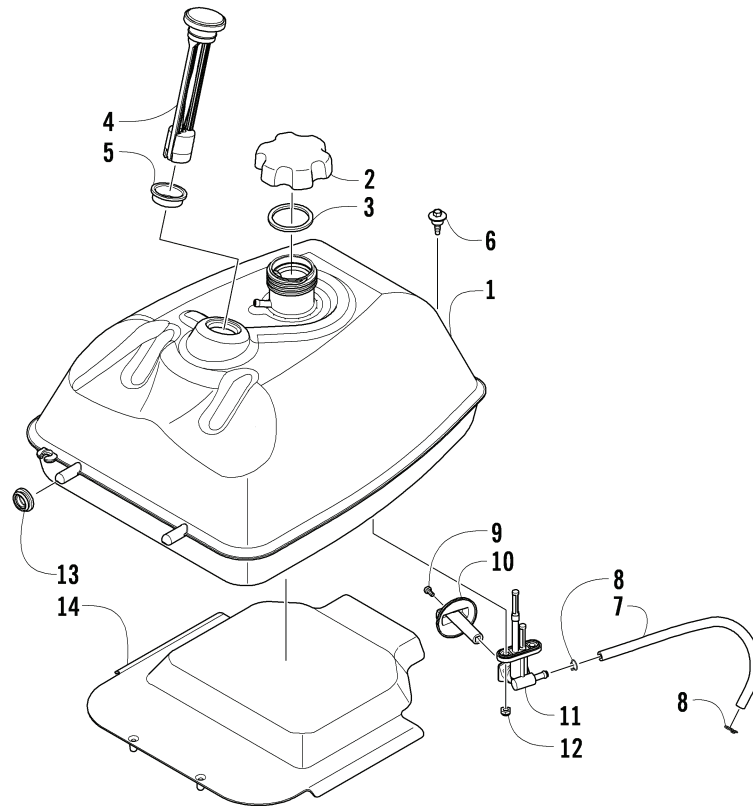
Ref.	Part No.	Qty.	Description	Ref.	Part No.	Qty.	Description
1	3313-750	1	Hose, Brake - Assembly	11	0502-606	2	●● Piston/Seal Set (inc. 12)
2	3303-361	1	Screw, Cap	12	0502-607	2	●●● Seal Set
3	3313-523	1	Bracket, Mounting - Brake Hose Assembly	13	0502-609	2	●● Valve, Bleed
4	3304-553	3	Screw, Cap	14	0502-608	2	● O-Ring, Guide - Set
5	<u>3313-682</u>	1	Hose, Brakeline	15	0502-605	2	● Bracket Assembly
6	3303-284	7	Washer, Crush	16	1436-165	2	● Pad, Brake - Set
7	3304-674	1	Bolt, Banjo-Fitting - Double	17	<u>3305-785</u>	4	Screw, Cap
8	3303-919	2	Clamp, Routing	18	3303-257	2	Bolt, Banjo-Fitting
9	1436-162	1	Caliper, Brake - Right Front (inc. 10-16)				
	1436-163	1	Caliper, Brake - Left Front (inc. 10-16)				
10	1436-160	1	● Housing, Caliper - Assembly - Right Front (inc. 11-13)				
	1436-161	1	● Housing, Caliper - Assembly - Left Front (inc. 11-13)				



PARKING BRAKE ASSEMBLY

0744-579

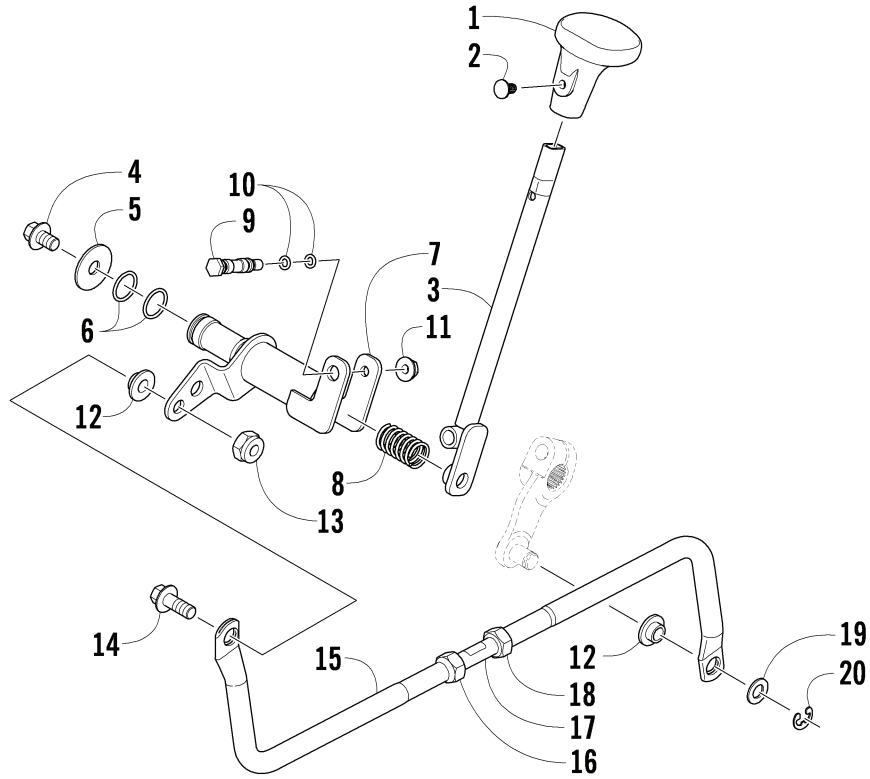
Ref.	Part No.	Qty.	Description	Ref.	Part No.	Qty.	Description
1	3313-651	1	Caliper (inc. 2)	9	3313-686	1	● Lever, Brake
2	3305-788	1	● Pad, Brake - Set	10	3313-687	1	● Housing, Brake Lever
3	3304-565	2	Screw, Cap	11	3313-688	1	● Switch, Brake
4	3313-649	1	Cable	12	3303-271	1	● Adjuster, Cable
5	3313-650	1	Handle, Brake - Assembly (inc. 6-15)	13	3303-262	1	● Nut
6	3313-691	1	● E-Ring	14	3305-914	1	● Screw, Shoulder
7	3313-689	1	● Lock, Brake Lever	15	3303-397	1	● Screw, Cap
8	3313-690	1	● Pin				



GAS TANK ASSEMBLY

0744-586

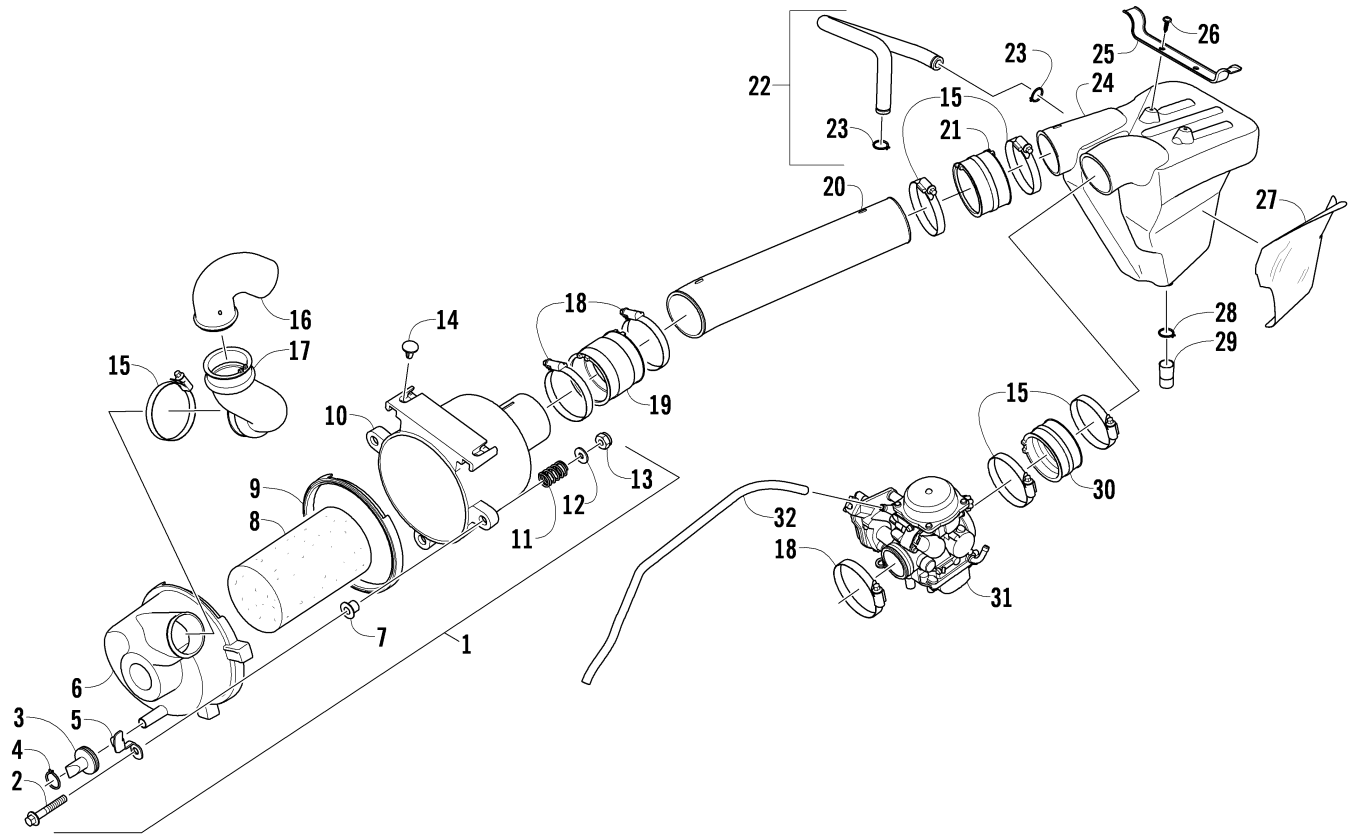
Ref.	Part No.	Qty.	Description	Ref.	Part No.	Qty.	Description
1	3323-229	1	Tank, Gas	8	3313-684	2	● Clamp, Hose
2	3313-701	1	Cap, Gas Tank (inc. 3)	9	0423-146	1	Screw, Machine
3	3313-704	1	● Gasket, Gas Tank Cap	10	3313-287	1	Knob, Gas Tank Valve
4	3313-324	1	Gauge, Gas - Assembly (inc. 5)	11	3313-325	1	Valve, Gas Tank
5	3323-092	1	● Seal, Gas Gauge	12	3304-431	2	Nut, Lock
6	0423-732	1	Screw, Shoulder	13	0423-460	2	Grommet
7	3313-685	1	Hose, Gasline (inc. 8)	14	3313-286	1	Shield, Heat



SHIFT LEVER ASSEMBLY

0744-223

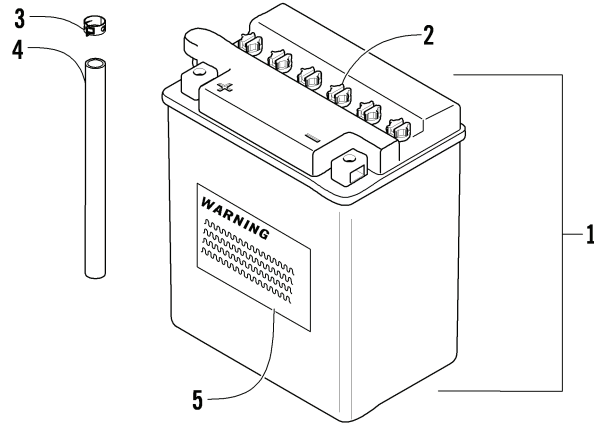
Ref.	Part No.	Qty.	Description	Ref.	Part No.	Qty.	Description
1	0402-843	1	Knob, Shift Lever	11	3304-654	1	Nut, Lock
2	0423-345	1	Clip, Retaining	12	3323-037	2	Bushing
3	3313-317	1	Lever, Shift	13	3304-668	1	Nut, Lock
4	3304-544	1	Screw, Cap	14	3304-565	1	Screw, Cap
5	0423-087	1	Washer	15	3313-054	1	Linkage, Shift - Assembly (inc. 16-18)
6	0423-299	2	O-Ring	16	3323-165	1	● Nut, Hex - Left-Hand Thread
7	3313-051	1	Actuator, Shift	17	3313-278	1	● Adjuster, Shift Linkage
8	0402-678	1	Spring, Shift Lever	18	3303-325	1	● Nut, Hex - Right-Hand Thread
9	0402-675	1	Axle, Pivot	19	3423-191	1	Washer
10	0423-182	2	O-Ring	20	0831-061	1	E-Ring



AIR INTAKE ASSEMBLY

0744-337

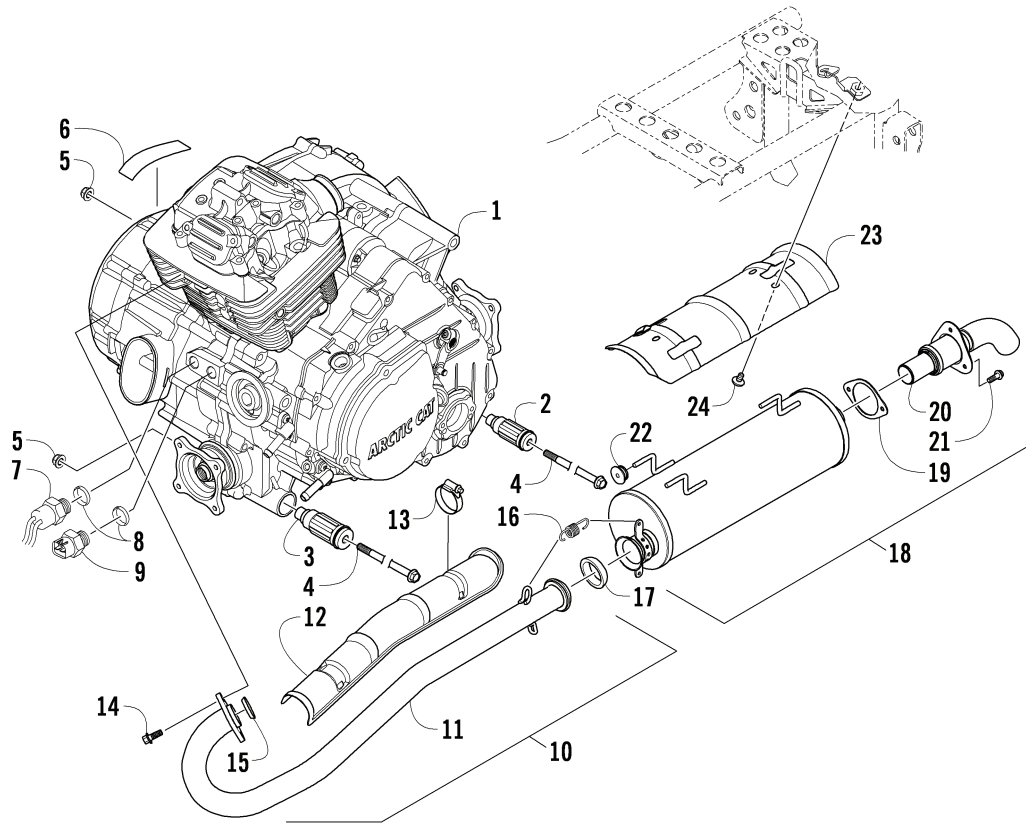
Ref.	Part No.	Qty.	Description	Ref.	Part No.	Qty.	Description
1	3313-395	1	Filter, Air - Assembly (inc. 2-13)	17	3313-367	1	Boot, Air Intake - Bottom
2	8408-850	3	● Screw, Cap	18	0423-019	3	Clamp
3	0470-442	1	● Valve, Drain	19	3313-275	1	Boot, Air Intake
4	3313-705	1	● Clamp	20	3313-063	1	Boot, Air Intake
5	3313-375	3	● Latch	21	3313-274	1	Boot, Air Intake
6	3313-376	1	● Cover, Air Filter	22	3313-397	1	Hose, Oil Catch (inc. 23)
7	0423-669	3	● Spacer	23	3304-167	2	● Clamp, Hose
8	3313-378	1	● Element, Air Filter	24	3313-224	1	Housing, Air Intake
9	3313-446	1	● Gasket, Air Filter	25	3313-356	1	Bracket, Mounting - Air Intake Housing
10	3313-377	1	● Housing, Air Filter	26	3304-409	2	Screw, Self-Tapping
11	0402-678	3	● Spring	27	3313-374	1	Foil, Protective
12	8050-222	3	● Washer	28	3313-706	1	Clamp
13	3303-269	3	● Nut	29	3313-543	1	Pipe, Drain
14	3305-448	2	Clip, Retaining	30	3313-551	1	Boot, Air Intake - Carburetor
15	0423-380	5	Clamp	31	0470-856	1	Carburetor, CVK34
16	3313-366	1	Boot, Air Intake - Top	32	3313-476	1	Hose, Vent



BATTERY ASSEMBLY

0743-045

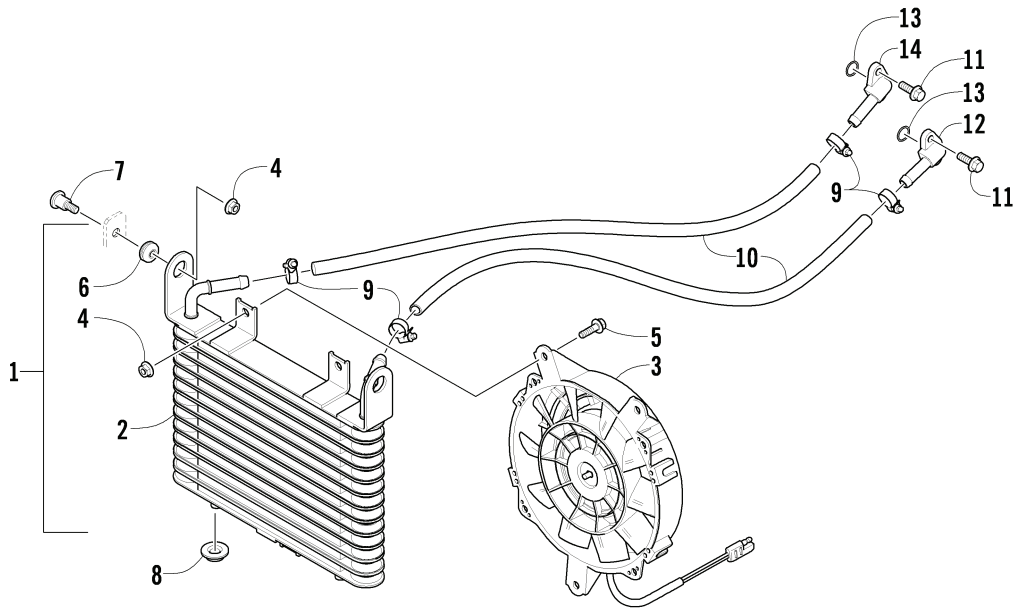
Ref.	Part No.	Qty.	Description	Ref.	Part No.	Qty.	Description
1	0745-045	1	Battery Assembly (inc. 2-5)	4	0645-263	1	● Hose, Vent
2	0645-045	6	● Cap	5	0645-151	1	● Decal, Warning
3	0645-152	1	● Clamp, Hose				



ENGINE AND EXHAUST

0744-224

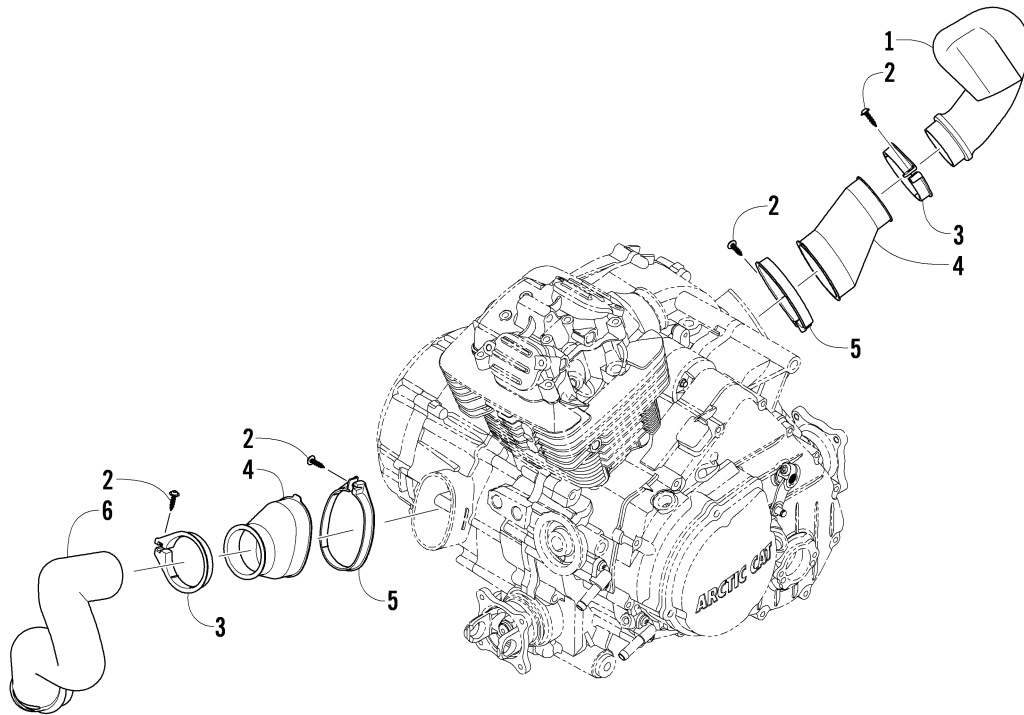
Ref.	Part No.	Qty.	Description	Ref.	Part No.	Qty.	Description
1	<u>3313-658</u>	1	Engine (inc. 2-3) (2X4)	13	0423-317	2	● Clamp
	<u>3313-669</u>	1	Engine (inc. 2-3) (4X4)	14	3304-565	2	Screw, Cap
2	0801-092	3	● Mount, Rubber - Engine	15	0412-007	1	Gasket, Exhaust Pipe
3	0801-144	1	● Mount, Rubber - Engine	16	0612-668	2	Spring, Extension
4	3323-174	2	Screw, Cap	17	0612-188	1	Seal, Exhaust
5	3304-031	2	Nut, Lock	18	<u>3313-709</u>	1	Muffler - Assembly (inc. 19-21)
6	0411-426	1	Decal, Warning - Clutch Cover	19	<u>3313-708</u>	1	● Gasket, Spark Arrester
7	3313-432	1	Switch, Temperature - Fan	20	<u>3313-707</u>	1	● Arrester, Spark - Assembly
8	0830-180	2	O-Ring	21	<u>3313-710</u>	3	● Screw, Cap
9	3313-431	1	Switch, Temperature - Light	22	3313-264	3	Bushing
10	<u>3313-692</u>	1	Pipe, Exhaust - Assembly (inc. 11-13)	23	3313-026	1	Cover, Muffler
11	<u>3313-693</u>	1	● Pipe, Exhaust	24	<u>3313-711</u>	3	Screw, Machine
12	3313-025	1	● Shield, Exhaust				



OIL COOLER ASSEMBLY

0743-004

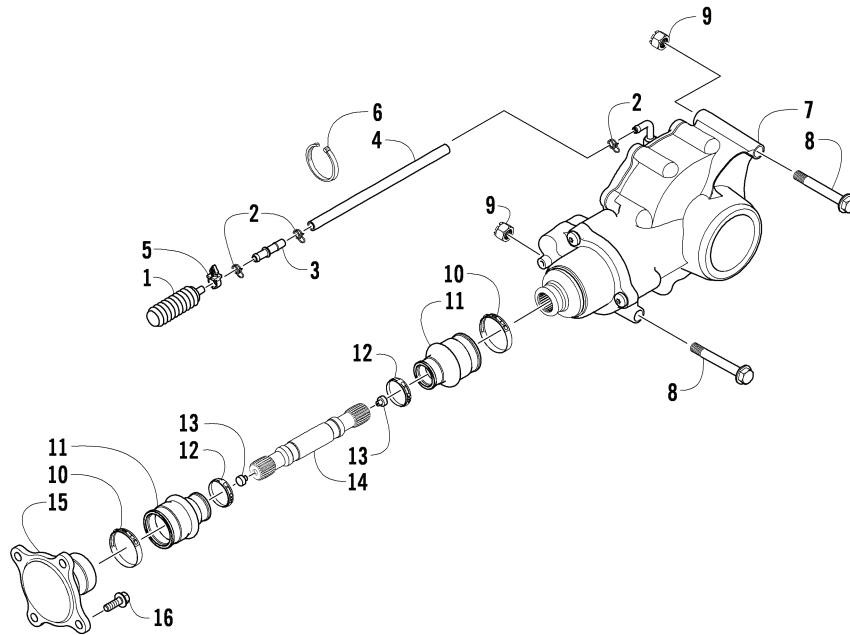
Ref.	Part No.	Qty.	Description	Ref.	Part No.	Qty.	Description
1	3323-202	1	Cooler, Oil - Assembly (inc. 2-3, three No. 4, and 5-6)	8	0423-028	2	Bushing, Stem
2	3323-203	1	● Cooler, Oil	9	0423-098	4	Clamp, Hose
3	3323-204	1	● Fan, Cooling	10	0410-044	2	Hose, Oil
4	3304-654	5	● Nut, Lock	11	3303-617	4	Screw, Cap
5	3304-587	3	● Screw, Cap	12	0812-059	1	Fitting, Oil
6	0423-030	2	● Grommet	13	0830-172	2	O-Ring
7	3313-166	2	Screw, Shoulder	14	0812-060	1	Fitting, Oil



CASE/BELT COOLING ASSEMBLY

0743-005

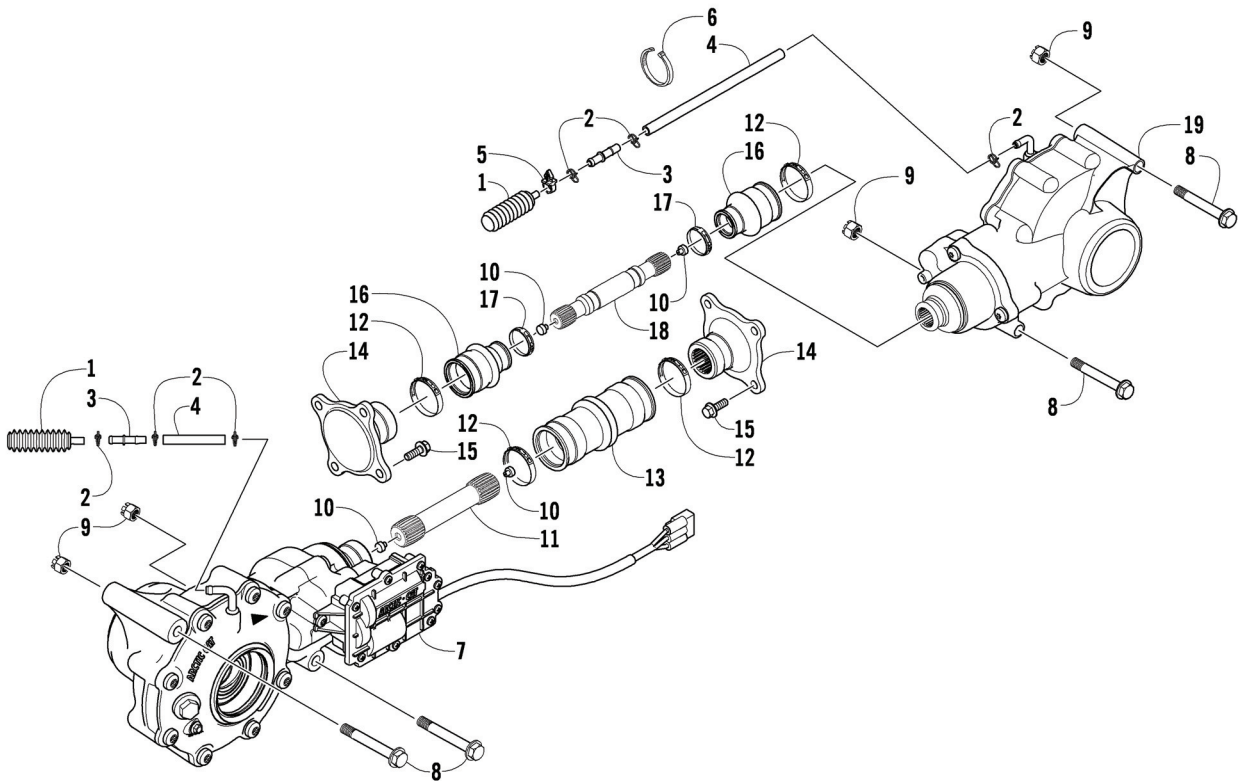
Ref.	Part No.	Qty.	Description	Ref.	Part No.	Qty.	Description
1	3313-064	1	Duct, Belt - Air Out	4	0413-049	2	Boot, Duct
2	3305-786	4	Screw, Self-Tapping	5	0423-550	2	Clamp
3	0423-551	2	Clamp	6	3313-065	1	Duct, Belt - Air In



DRIVE TRAIN ASSEMBLY (2X4)

0744-587

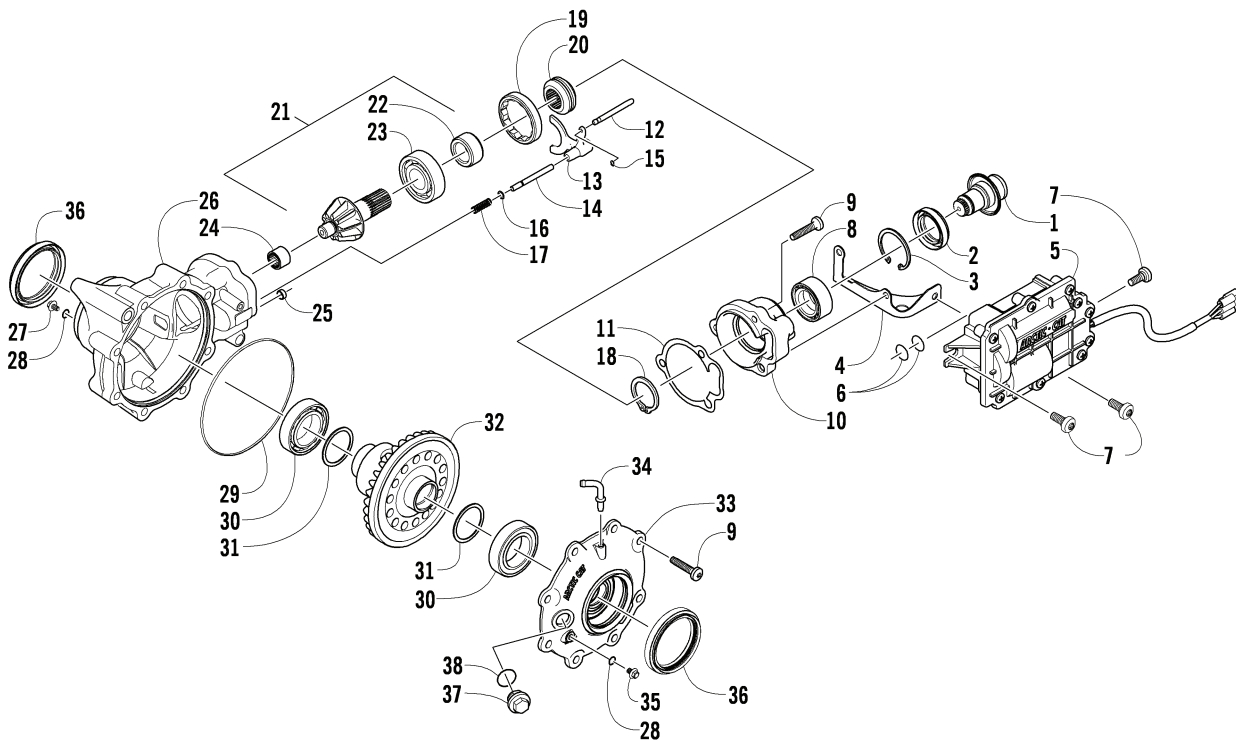
Ref.	Part No.	Qty.	Description	Ref.	Part No.	Qty.	Description
1	3304-170	1	Bladder, Gearcase	9	3304-031	2	Nut, Lock
2	3303-349	3	Clamp, Hose	10	0423-393	2	Clamp, Boot
3	3323-150	1	Fitting, Vent	11	0402-985	2	Boot
4	0410-048	AR	Hose, Vent	12	0423-411	2	Clamp, Boot
5	3323-152	1	Clip, Routing	13	0673-618	2	Bumper, Propeller Shaft
6	0123-788	AR	Tie, Cable - 8 in.	14	1402-234	1	Shaft, Propeller
7	<u>1502-487</u>	1	Gearcase, Rear	15	0402-950	1	Flange, Output
8	<u>3305-787</u>	2	Screw, Cap	16	3304-565	4	Screw, Cap



DRIVE TRAIN ASSEMBLY (4X4)

0744-226

Ref.	Part No.	Qty.	Description	Ref.	Part No.	Qty.	Description
1	3304-170	2	Bladder, Gearcase	11	0402-963	1	Shaft, Propeller
2	3303-349	6	Clamp, Hose	12	0423-393	4	Clamp
3	3323-150	2	Fitting, Vent	13	0402-954	1	Boot, Coupler
4	0410-048	AR	Hose, Vent	14	0402-950	2	Flange, Output
5	3323-152	1	Clip, Routing	15	3304-565	8	Screw, Cap
6	0123-788	AR	Tie, Cable - 8 in.	16	0402-985	2	Boot
7	<u>1502-398</u>	1	Gearcase, Front	17	0423-411	2	Clamp
8	<u>3305-787</u>	4	Screw, Cap	18	1402-234	1	Shaft, Propeller
9	3304-031	4	Nut, Lock	19	<u>1502-487</u>	1	Gearcase, Rear
10	0673-618	4	Bumper, Propeller Shaft				

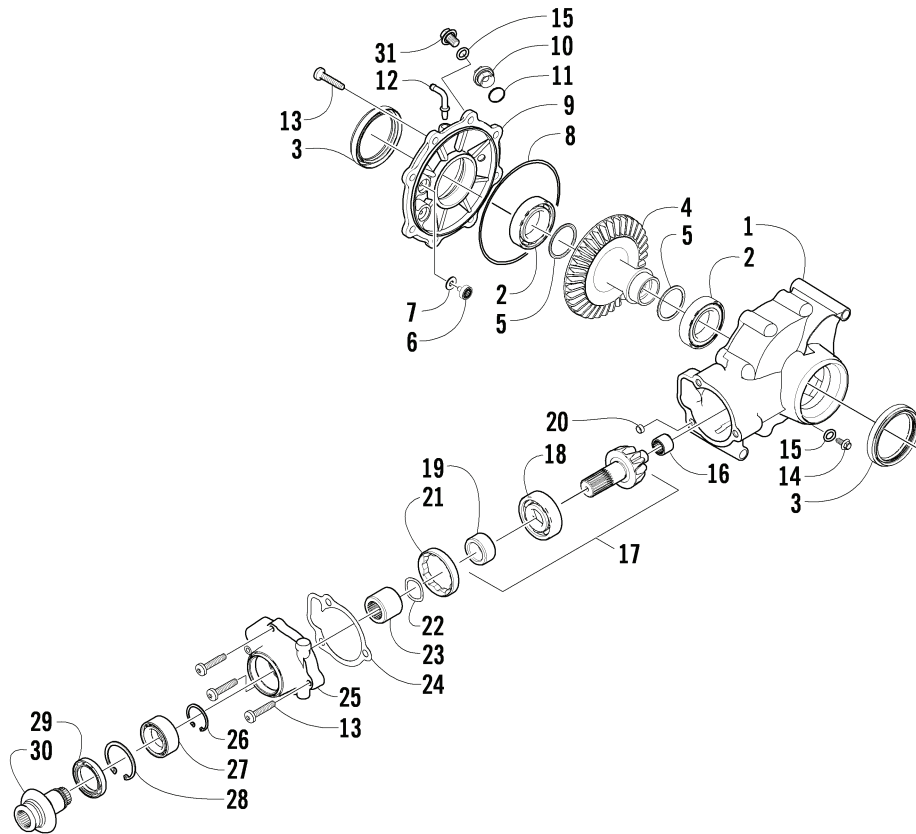


FRONT DRIVE GEARCASE ASSEMBLY (4X4)

(Complete Assembly p/n 1502-398)

0743-007

Ref.	Part No.	Qty.	Description	Ref.	Part No.	Qty.	Description
1	1502-085	1	Shaft, Input	22	0402-336	1	● Collar, Retaining
2	1402-011	1	Seal	23	0402-327	1	● Bearing
3	0423-423	1	Ring, Retaining	24	0402-328	1	Bearing
4	0502-347	1	Bracket, Actuator	25	0402-411	1	Pin, Dowel
5	0502-296	1	Actuator (inc. one No. 6)	26	0502-514	1	Housing, Gearcase
6	<u>0423-892</u>	2	● O-Ring	27	1402-210	1	Plug, Magnetic (inc. one No. 28)
7	0423-396	3	Screw, Self-Tapping	28	0423-153	2	● O-Ring
8	1402-043	1	Bearing	29	0423-149	1	O-Ring
9	0423-118	11	Screw, Self-Tapping	30	0402-393	2	Bearing
10	0502-528	1	Housing, Pinion	31	0402-405	AR	Shim
11	0402-947	1	Gasket, Flange		0402-406	AR	Shim
12	0402-997	1	Shaft, Selector		0402-407	AR	Shim
13	0402-998	1	Fork, Selector		0402-408	AR	Shim
14	0402-417	1	Shaft, Shuttle		0402-409	AR	Shim
15	0423-402	1	Ring, Retaining	32	1502-229	1	Gear, Ring - 34T
16	0423-147	1	O-Ring	33	1502-081	1	Cover, Gearcase
17	0402-999	1	Spring, Return	34	1402-102	1	Fitting, 90°
18	0423-417	1	Ring, Retaining	35	1402-211	1	Plug, Oil Level (inc. one No. 28)
19	0402-357	1	Collar, Lock	36	<u>1402-713</u>	2	Seal
20	0402-413	1	Coupler, Drive	37	0402-333	1	Plug, Fill (inc. 38)
21	0502-784	1	Gear, Pinion - Assembly - 11T (inc. 22-23)	38	0423-154	1	● O-Ring

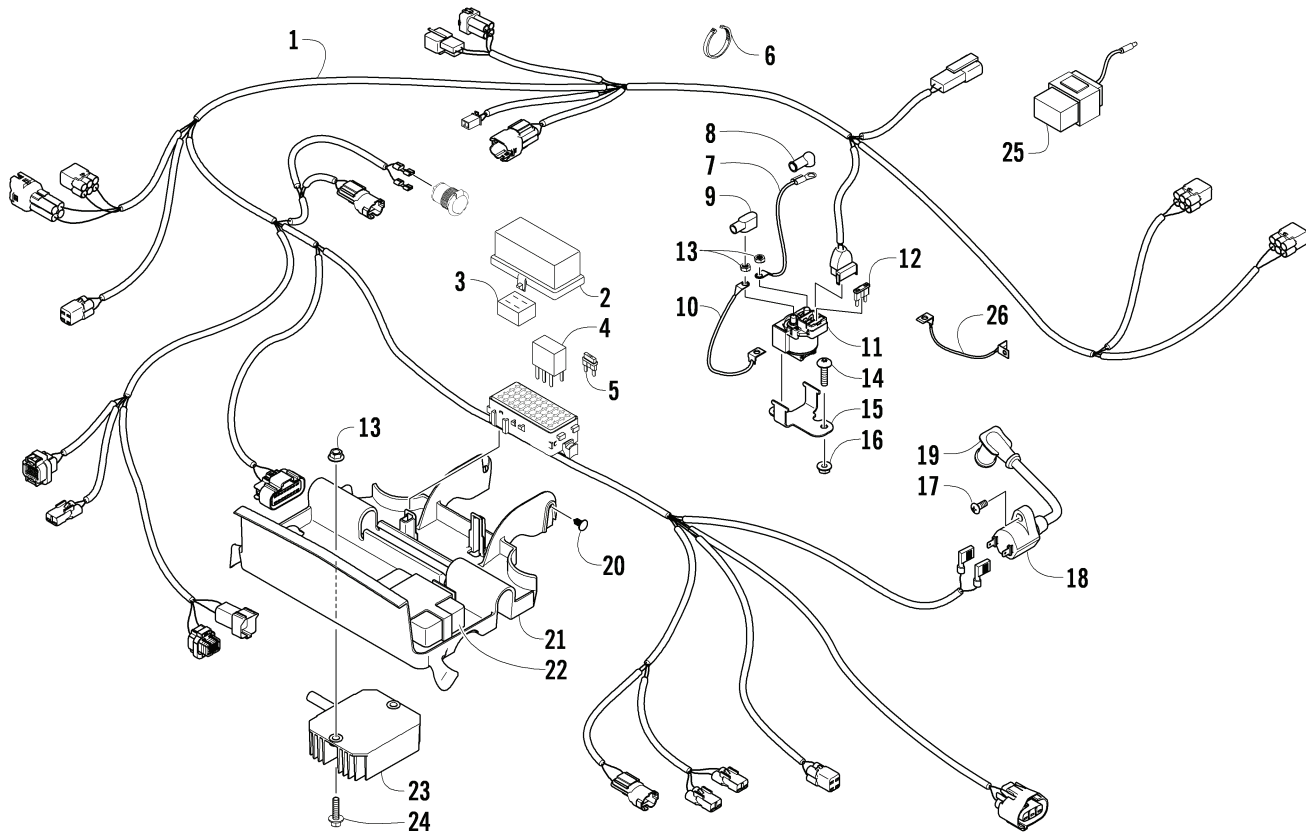


REAR DRIVE GEARCASE ASSEMBLY

(Complete Assembly p/n 1502-487)

0741-524

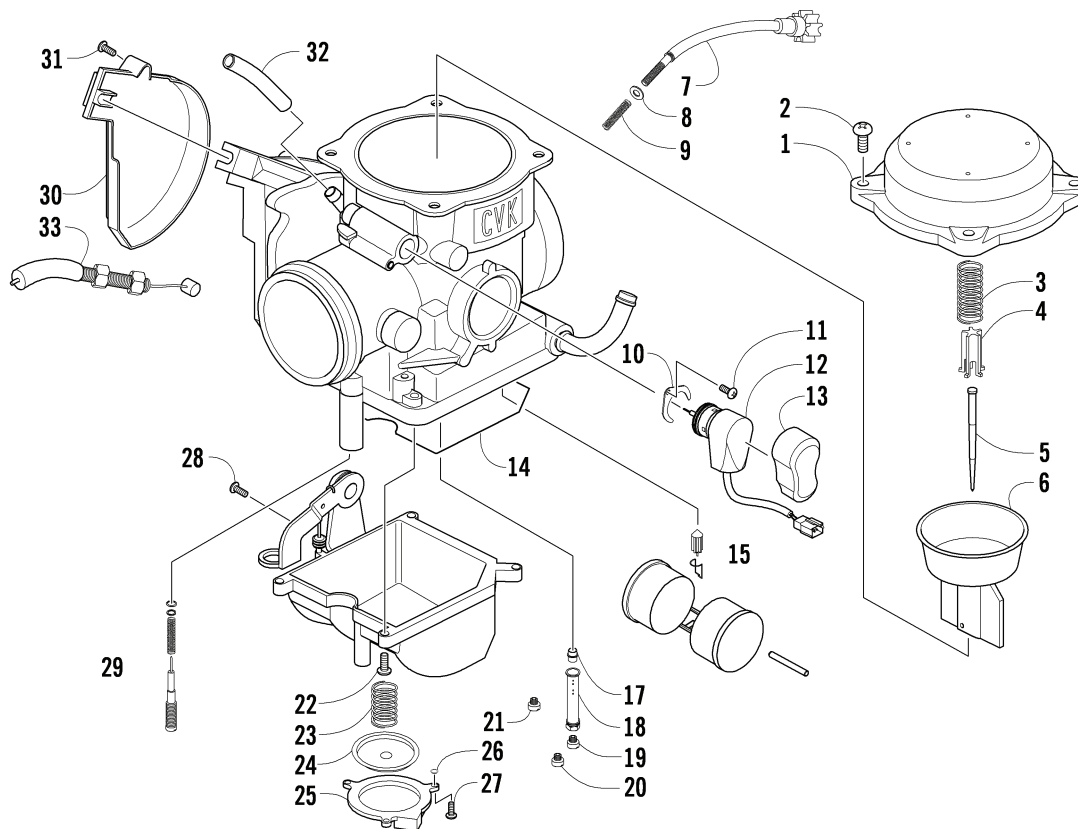
Ref.	Part No.	Qty.	Description	Ref.	Part No.	Qty.	Description
1	1502-317	1	Housing, Gearcase	13	0423-118	11	Screw, Self-Tapping
2	0402-393	2	Bearing	14	1402-210	1	Plug, Magnetic (inc. one No. 15)
3	1402-713	2	Seal	15	0423-153	2	● O-Ring
4	1402-033	1	Gear, Ring - 34T	16	0402-328	1	Bearing
5	0402-405	AR	Shim	17	0502-784	1	Gear, Pinion - Assembly - 11T (inc. 18-19)
	0402-406	AR	Shim	18	0402-327	1	● Bearing
	0402-407	AR	Shim	19	0402-336	1	● Collar, Retaining
	0402-408	AR	Shim	20	0402-411	1	Pin, Dowel
	0402-409	AR	Shim	21	0402-331	1	Collar, Lock
6	0402-326	1	Button, Thrust	22	0402-982	1	Washer, Wave
7	0402-429	AR	Shim	23	0402-981	1	Collar, Shaft
	0402-430	AR	Shim	24	0402-947	1	Gasket, Flange
	0402-431	AR	Shim	25	0502-529	1	Housing, Pinion
	0402-432	AR	Shim	26	0423-417	1	Ring, Retaining
	0402-433	AR	Shim	27	1402-043	1	Bearing
8	0423-149	1	O-Ring	28	0423-423	1	Ring, Retaining
9	1502-082	1	Cover, Gearcase	29	1402-011	1	Seal
10	0402-333	1	Plug, Fill (inc. 11)	30	1502-085	1	Shaft, Input
11	0423-154	1	● O-Ring	31	1402-211	1	Plug, Oil Level (inc. one No. 15)
12	1402-102	1	Fitting, 90°				



WIRING HARNESS ASSEMBLY

0744-589 *Not a Service Part

Ref.	Part No.	Qty.	Description	Ref.	Part No.	Qty.	Description
1	<u>3313-657</u>	1	Harness, Main (inc. 2-5) (2X4)	13	3303-331	4	Nut w/Washer
	3313-570	1	Harness, Main (inc. 2-5) (4X4)	14	<u>3305-703</u>	2	Screw, Machine
2	0530-008	1	● Cover, Fuse Block	15	3313-467	1	Bracket, Mounting - Solenoid
3	0430-037	1	● Holder, Fuse	16	3304-538	2	Nut
4	0430-033	3	● Relay (5-Pin) - 10 Amp	17	3303-252	1	Screw, Machine
5	0430-032	4	● Fuse - 10 Amp	18	3323-216	1	Coil, Ignition - Assembly
	0430-031	3	● Fuse - 15 Amp	19	<u>3313-695</u>	1	Cap, Spark Plug
6	3303-289	AR	Tie, Cable	20	0423-345	2	Clip, Retaining
7	3313-527	1	Cable, Solenoid/Starter (inc. 8)	21	3313-273	1	Tray, Electrical
8	*	1	● Boot, Terminal	22	3313-436	1	CDI Unit
9	0645-327	1	Boot, Terminal	23	0430-038	1	Regulator, Voltage
10	3313-526	1	Cable, Battery/Solenoid	24	3305-344	2	Screw, Cap
11	3313-464	1	Solenoid (inc. 12)	25	3304-778	1	Control, Hazard
12	3304-212	1	● Fuse - 30 Amp	26	3313-525	1	Cable, Battery/Ground

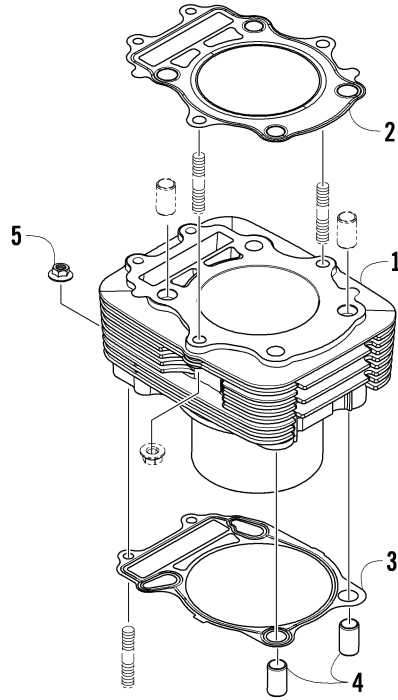


CARBURETOR

CVK34 (Complete Assembly p/n 0470-856)

0744-227 *Optional

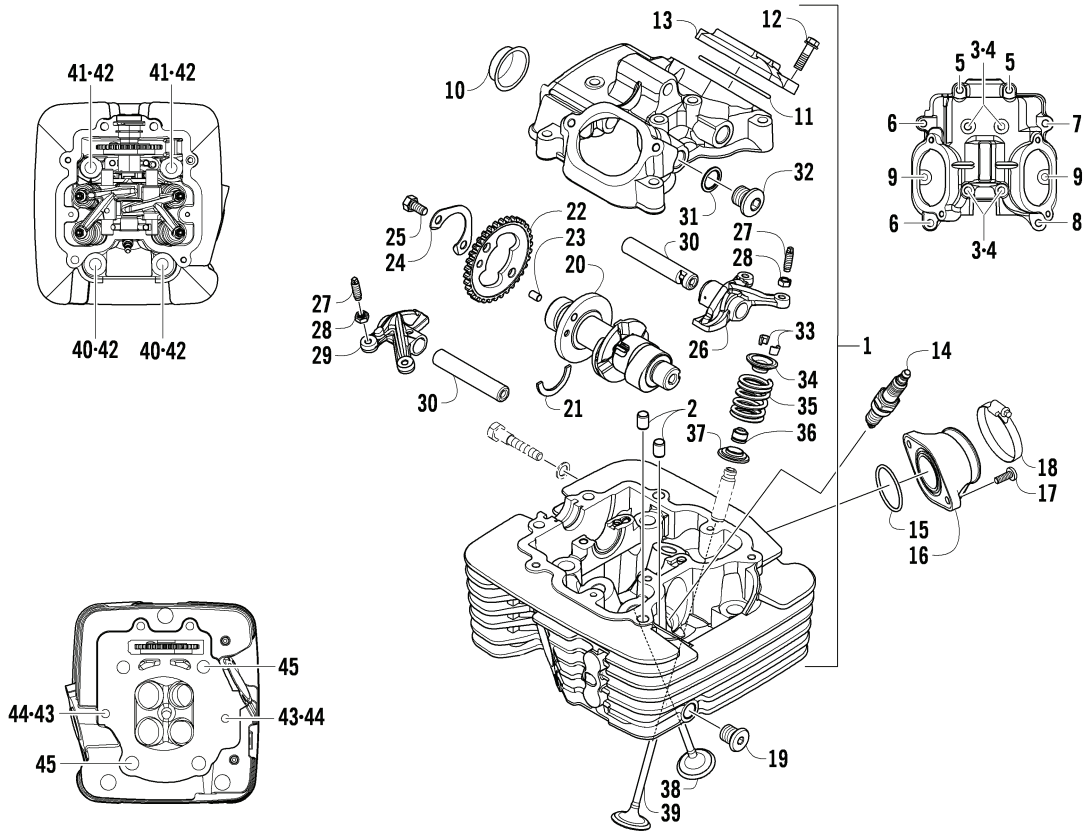
Ref.	Part No.	Qty.	Description	Ref.	Part No.	Qty.	Description
1	5507-001	1	Cover, Top	20	5507-097	1	Starter Jet - 75
2	5507-002	4	Screw, Machine	21	5507-010	1	Slow Jet
3	5507-066	1	Spring	22	5507-017	4	Screw, Machine
4	5507-005	1	Seat, Spring	23	5507-032	1	Spring
5	5507-110	1	Jet Needle	24	5507-197	1	Diaphragm Assembly
6	5507-109	1	Piston, Vacuum	25	5507-198	1	Housing, Pump
7	5507-027	1	Screw, Idle Adjust	26	5507-034	1	U-Ring
8	5507-028	1	Washer	27	5507-035	3	Screw, Machine
9	5507-029	1	Spring	28	5507-050	1	Screw, Drain
10	5507-115	1	Plate	29	5507-111	1	Screw, Pilot - Set
11	5507-117	1	Screw, Machine	30	5507-036	1	Cover
12	5507-180	1	Choke, Electric	31	5507-037	1	Screw, Machine
13	5507-114	1	Cover, Electric Choke	32	0410-048	AR	Hose, Vent - 25 ft
14	5507-067	1	O-Ring, Float Chamber	33	3323-227	1	Cable, Throttle (2X4)
15	5507-183	1	Valve, Float - Set		0487-049	1	Cable, Throttle (4X4)
16	5507-039	1	Float Set				
17	5507-007	1	Needle Jet				
18	5507-047	1	Holder, Needle Jet				
19	5507-125	1	Main Jet - 120				
	5507-242	1	Main Jet - 108*				
	5507-166	1	Main Jet - 110*				
	3305-434	1	Main Jet - 112*				
	5507-126	1	Main Jet - 115*				
	5507-241	1	Main Jet - 118*				



CYLINDER ASSEMBLY

0744-250

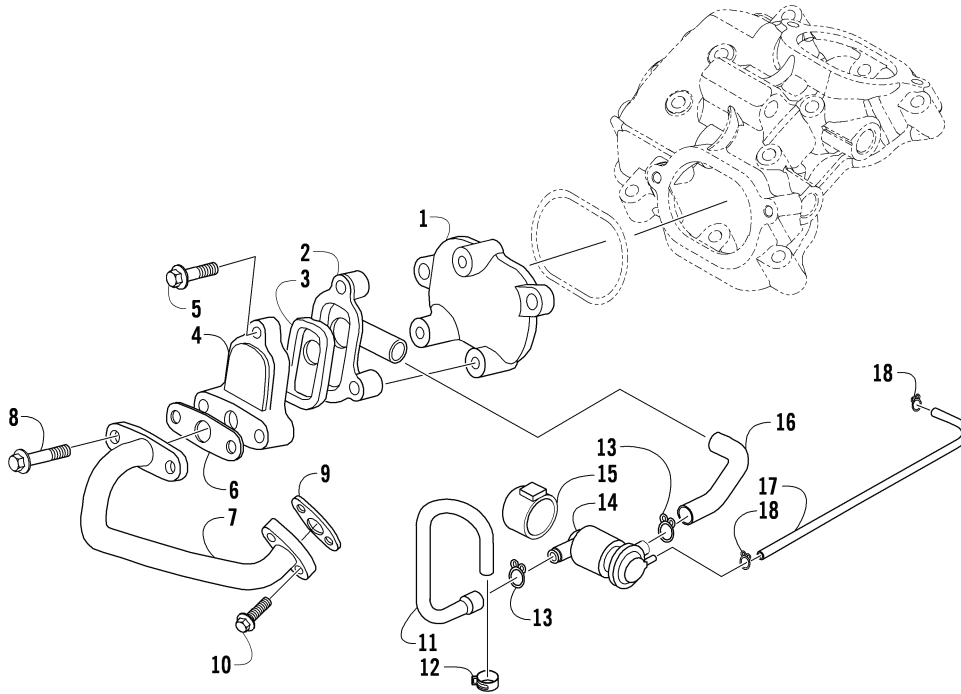
Ref.	Part No.	Qty.	Description	Ref.	Part No.	Qty.	Description
1	0804-042	1	Cylinder	4	0829-046	2	Pin, Dowel
2	0830-050	1	Gasket, Cylinder Head	5	3303-331	2	Nut
3	0830-053	1	Gasket, Cylinder				



CYLINDER HEAD AND CAMSHAFT/VALVE ASSEMBLY

0744-591

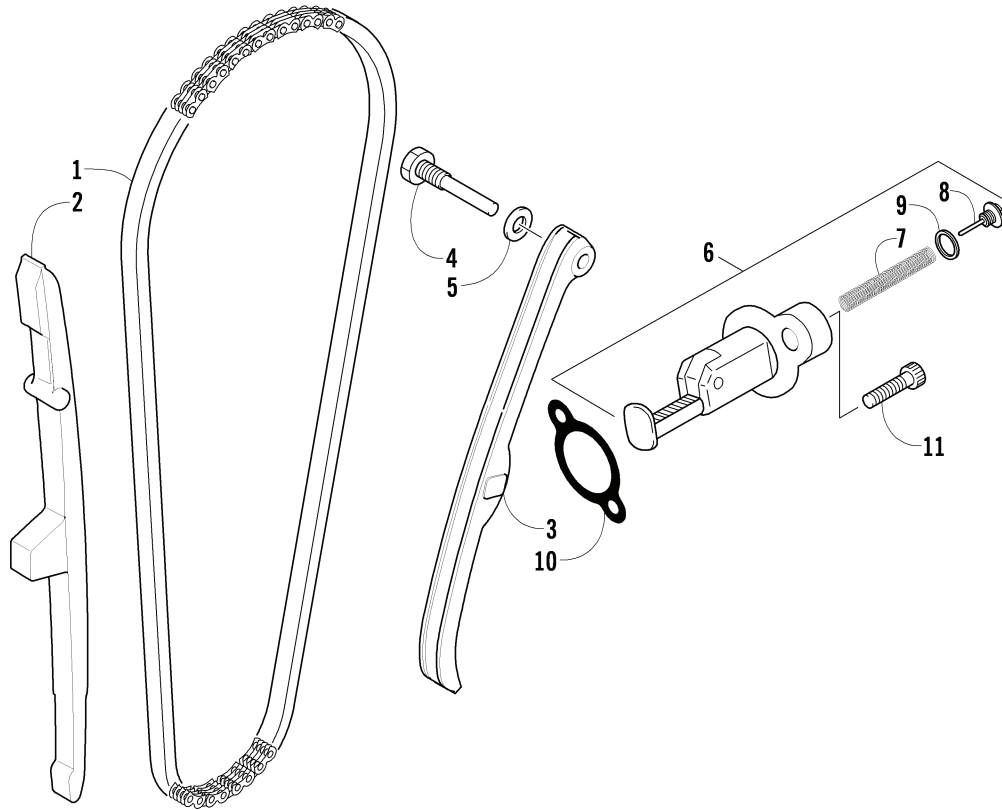
Ref.	Part No.	Qty.	Description	Ref.	Part No.	Qty.	Description
1	0808-185	1	Head, Cylinder (inc. 2-9)	24	0828-086	1	Plate, Retainer
2	3303-341	2	● Pin, Dowel	25	0826-117	2	Screw, Cap
3	0826-115	4	● Screw, Cap	26	0809-145	1	Arm, Valve Rocker - Intake
4	0830-155	4	● Gasket	27	3304-007	4	Screw, Adjuster
5	3304-918	2	● Screw, Cap	28	3304-026	4	Nut
6	3303-386	2	● Screw, Cap	29	0809-149	1	Arm, Valve Rocker - Exhaust
7	3304-903	1	● Screw, Cap	30	0809-151	2	Shaft, Rocker Arm
8	0826-136	1	● Screw, Cap	31	0830-143	2	Gasket
9	3303-384	2	● Screw, Cap	32	0831-053	2	Plug, Shaft
10	0808-112	1	Plug, Head	33	3303-044	8	Cotter, Valve
11	0830-139	2	O-Ring	34	0809-142	4	Retainer, Spring
12	3303-383	4	Screw, Cap	35	0809-140	4	Spring, Valve
13	0808-111	1	Cap, Inspection	36	0809-190	4	Seal, Oil
14	0217-705	1	Spark Plug (NGK CR8E)	37	0809-141	4	Seat, Spring
15	3323-145	1	O-Ring	38	0809-188	2	Valve, Intake
16	3323-228	1	Manifold, Intake	39	0809-189	2	Valve, Exhaust
17	3304-189	2	Screw, Machine	40	0826-062	2	Screw, Cap
18	0423-317	1	Clamp	41	0826-061	2	Screw, Cap
19	3303-656	1	Plug, Oil Gallery	42	0828-044	4	Washer
20	0809-251	1	Camshaft	43	0827-019	2	Bolt, Stud
21	0809-165	1	C-Ring	44	3303-332	2	Nut
22	0809-166	1	Sprocket	45	0829-013	2	Pin, Dowel
23	0829-036	1	Pin, Alignment				



REED VALVE ASSEMBLY

0744-590

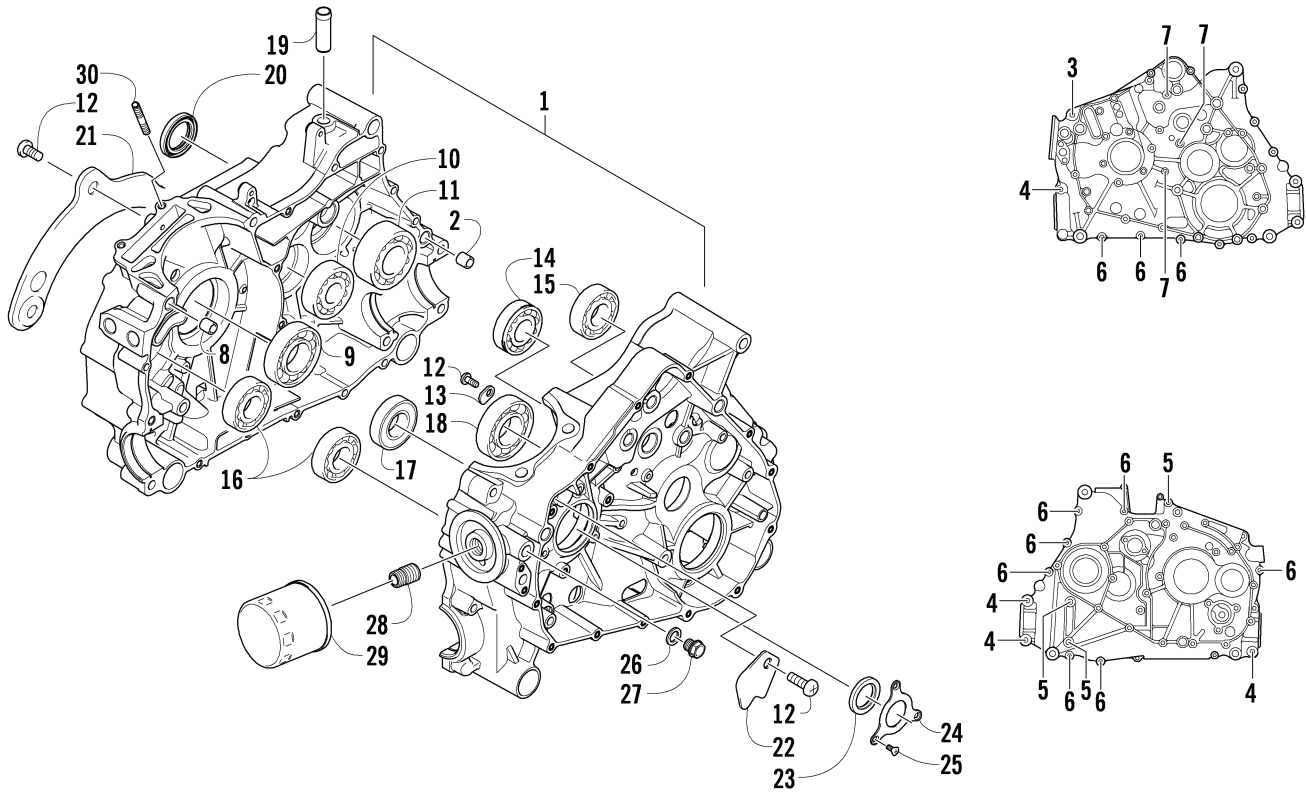
Ref.	Part No.	Qty.	Description	Ref.	Part No.	Qty.	Description
1	0808-186	1	Cap, Inspection - Reed Valve	10	3303-617	2	Screw, Cap
2	0808-187	1	Cover, Reed Valve	11	<u>3313-737</u>	1	Duct, Air
3	3305-587	1	Valve, Reed	12	3304-167	1	Clamp
4	0808-188	1	Body, Reed Valve	13	3303-712	2	Clamp
5	3303-362	1	Screw, Cap	14	<u>3313-734</u>	1	Vacuum, Air - Assembly
6	0830-190	1	Gasket	15	3305-355	1	Mount, Air Vacuum
7	3313-595	1	Pipe, Air	16	<u>3313-736</u>	1	Duct, Air
8	3303-363	2	Screw, Cap	17	<u>3313-735</u>	1	Hose Assembly (inc. 18)
9	3303-732	1	Gasket	18	3304-161	2	● Clamp, Hose



CAM CHAIN ASSEMBLY

0743-029

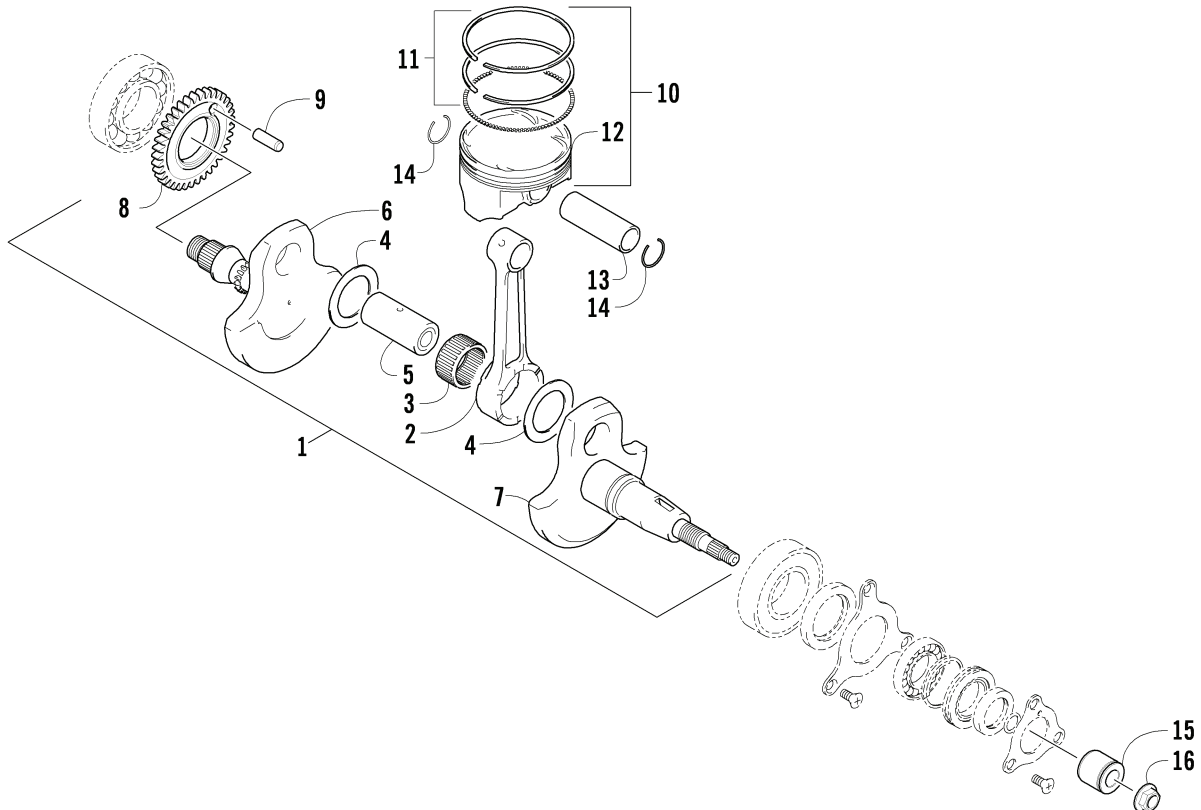
Ref.	Part No.	Qty.	Description	Ref.	Part No.	Qty.	Description
1	0810-005	1	Chain, Cam	7	0810-056	1	● Spring
2	0810-006	1	Guide, Chain	8	0810-061	1	● Plug
3	0810-007	1	Tensioner, Chain	9	0810-062	1	● Washer
4	0826-133	1	Pivot, Tensioner	10	0830-060	1	Gasket
5	0830-150	1	Washer	11	3303-360	2	Screw, Cap
6	0810-054	1	Adjuster, Tensioner - Assembly (inc. 7-9)				



CRANKCASE ASSEMBLY

0744-254

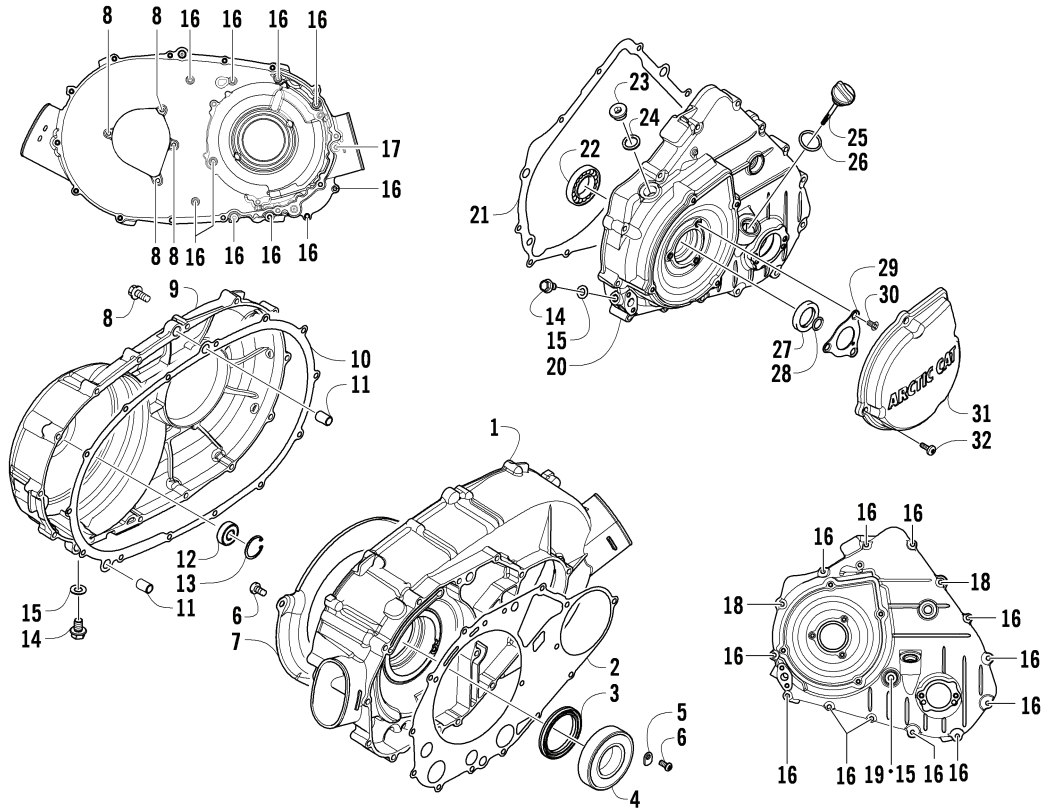
Ref.	Part No.	Qty.	Description	Ref.	Part No.	Qty.	Description
1	0801-021	1	Crankcase - Assembly (inc. 2-5)	16	0832-022	2	Bearing
2	0829-050	2	● Pin, Dowel	17	0832-020	1	Bearing
3	3303-372	1	● Screw, Cap	18	0832-019	1	Bearing
4	0826-126	4	● Screw, Cap	19	0801-027	1	Tube, Vent - Crankcase
5	0826-064	3	● Screw, Cap	20	0830-066	1	Seal
6	3303-387	10	Screw, Cap	21	0801-018	1	Plate, Oil Guide - Right
7	0826-065	3	Screw, Cap	22	0801-019	1	Plate, Oil Guide - Left
8	0829-046	2	Pin, Dowel	23	0830-058	1	Seal
9	0832-086	1	Bearing	24	0805-018	1	Retainer
10	3304-198	1	Bearing	25	0826-145	3	Screw, Machine
11	0832-074	1	Bearing	26	0830-143	1	Gasket, Oil Pressure Plug
12	0826-144	6	Screw, Machine	27	0835-004	1	Plug, Oil Pressure
13	0822-104	2	Retainer, Bearing	28	0812-066	1	Union, Oil Filter
14	3304-195	1	Bearing	29	0812-029	1	Filter, Oil
15	3304-699	1	Bearing	30	3313-721	2	Bolt, Stud



CRANKSHAFT AND PISTON ASSEMBLY

0744-266 *Not a Service Part

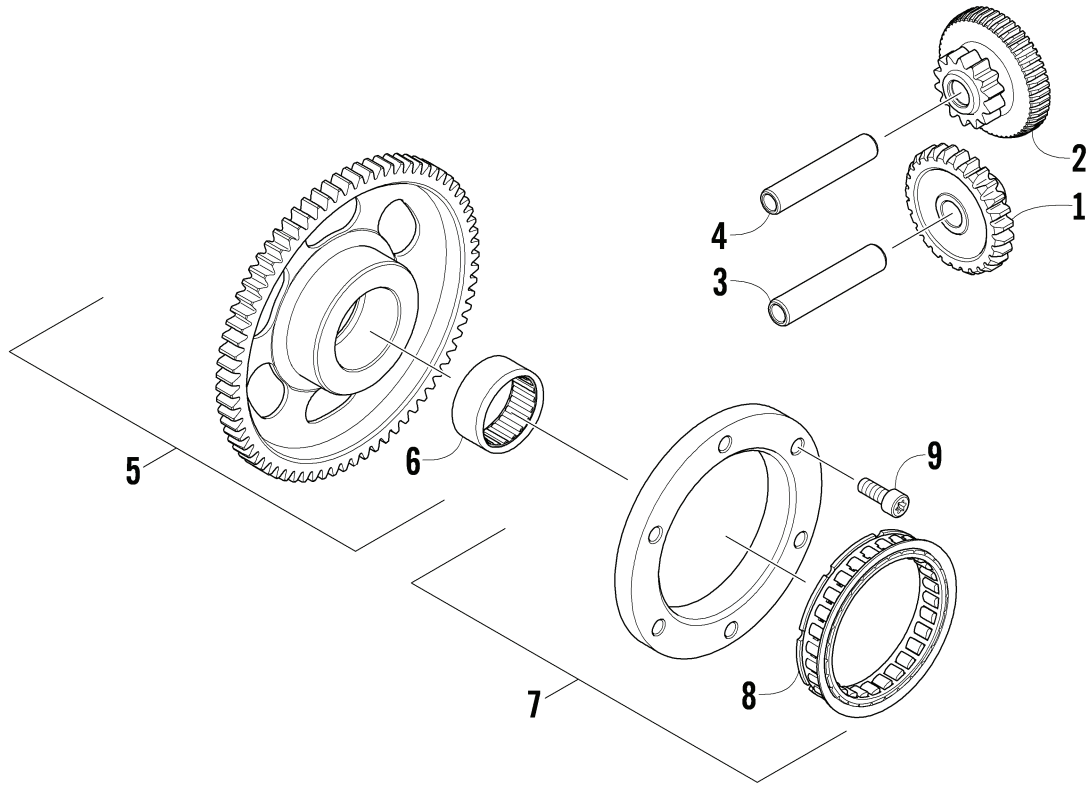
Ref.	Part No.	Qty.	Description	Ref.	Part No.	Qty.	Description
1	0805-013	1	Crankshaft Assembly (inc. 2-9)	9	0805-168	1	● Pin, Dowel
2	*	1	● Rod, Connecting	10	0805-169	1	Piston Set (inc. 11-14)
3	0832-018	1	● Bearing	11	0805-170	1	● Ring, Piston - Set
4	0828-045	2	● Washer	12	0805-021	1	● Piston
5	0805-043	1	● Pin, Crankshaft	13	0805-023	1	● Pin, Piston
6	0805-036	1	● Crankshaft - Right	14	0831-060	2	● Circlip
7	0805-038	1	● Crankshaft - Left	15	0820-064	1	Bushing
8	0805-020	1	● Gear, Crank Balancer Drive	16	3303-333	1	Nut



CLUTCH/V-BELT/MAGNETO COVER ASSEMBLY

0744-593

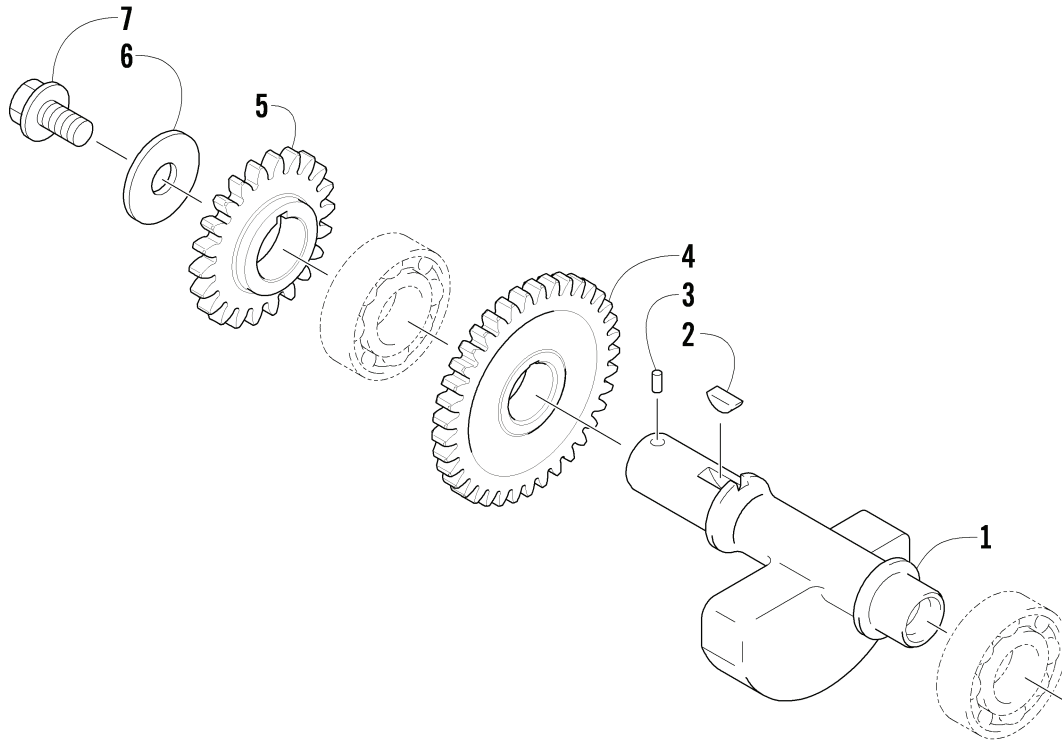
Ref.	Part No.	Qty.	Description	Ref.	Part No.	Qty.	Description
1	0806-026	1	Cover, Clutch	17	0826-066	1	Screw, Cap
2	0830-055	1	Gasket	18	3304-191	2	Screw, Cap
3	0830-157	1	Seal, Clutch Housing	19	0826-068	1	Screw, Cap
4	0832-071	1	Bearing	20	0806-028	1	Cover, Magneto
5	0822-104	2	Retainer, Bearing	21	0830-057	1	Gasket, Magneto Cover
6	0826-144	5	Screw, Machine	22	0832-053	1	Bearing
7	0806-103	1	Plate, Air Intake	23	0806-099	1	Plug
8	3303-386	18	Screw, Cap	24	0830-141	1	Washer, Crush
9	0806-027	1	Cover, V-Belt	25	0806-029	1	Stick, Oil Level (inc. 26)
10	0830-056	1	Gasket, V-Belt Cover	26	3304-102	1	● O-Ring, Oil Level Stick
11	0829-046	6	Pin, Dowel	27	0830-145	1	Seal, Oil
12	0832-023	1	Bearing	28	0830-153	1	O-Ring
13	3303-347	1	Circlip	29	0805-178	1	Retainer, Oil Seal
14	3303-365	2	Plug, Drain	30	0826-145	3	Screw, Machine
15	3303-591	3	Gasket, Drain Plug	31	0820-066	1	Cover, Magneto - Outer
16	3304-903	22	Screw, Cap	32	3303-617	4	Screw, Machine



STARTER CLUTCH ASSEMBLY

0744-283

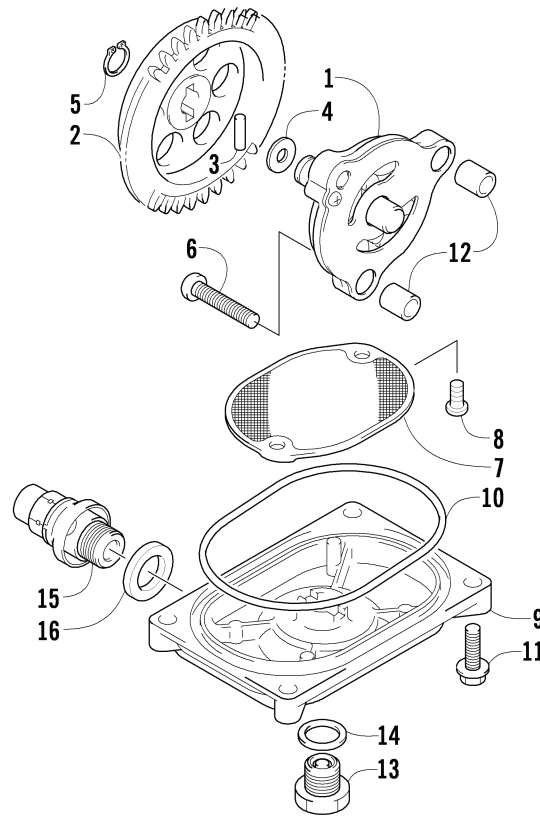
Ref.	Part No.	Qty.	Description	Ref.	Part No.	Qty.	Description
1	0815-022	1	Gear, Starter Idler - No. 2	4	0815-007	1	Pin, Starter Idler Gear No. 1
2	0815-025	1	Gear, Starter Idler - No. 1 (Up to Engine Serial Number 1301260)	5	0815-023	1	Gear, Starter Clutch (inc. 6)
	<u>0815-031</u>	1	Gear, Starter Idler - No. 1 (Engine Serial Number 1301261 and Up)	6	0832-069	1	● Bearing
3	0815-015	1	Pin, Starter Idler Gear No. 2	7	0802-044	1	Clutch, One-Way (inc. 8)
				8	0802-046	1	● Bearing
				9	0826-120	6	Screw, Cap



CRANK BALANCER ASSEMBLY

0743-027

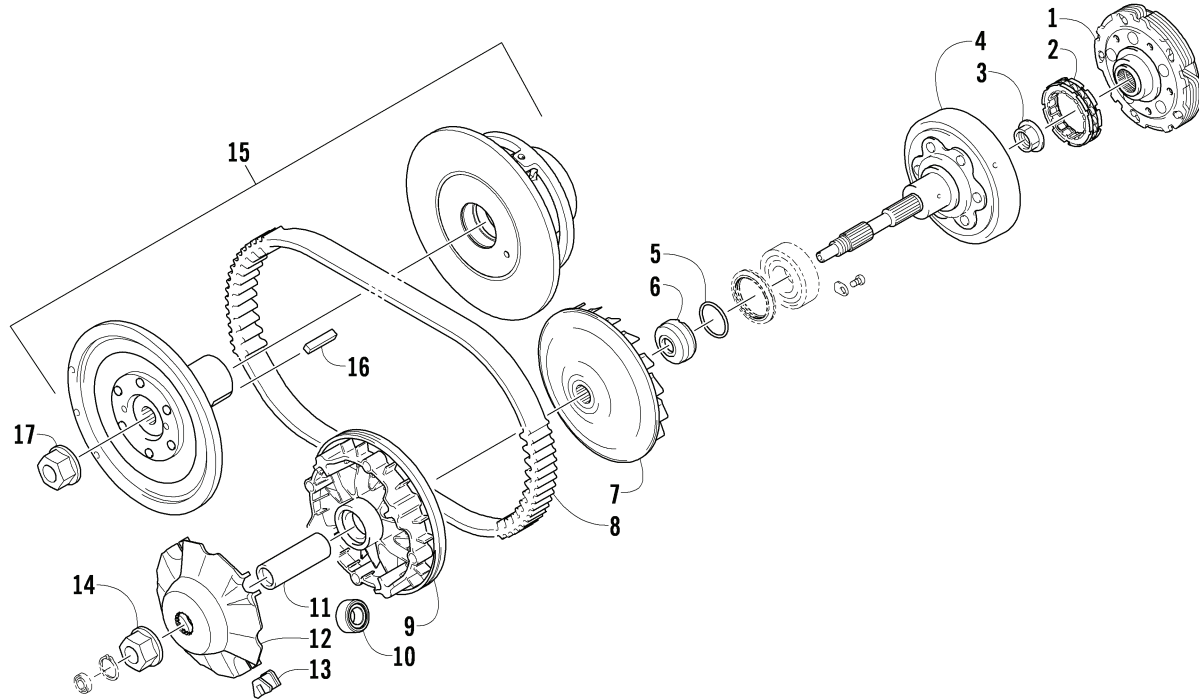
Ref.	Part No.	Qty.	Description	Ref.	Part No.	Qty.	Description
1	0811-005	1	Balancer, Crank	5	0811-009	1	Gear, Oil Pump Drive
2	0829-037	1	Key	6	0828-091	1	Washer
3	3304-144	1	Pin, Alignment	7	0826-118	1	Screw, Cap
4	0811-006	1	Gear, Driven				



OIL PUMP AND STRAINER ASSEMBLY

0743-030

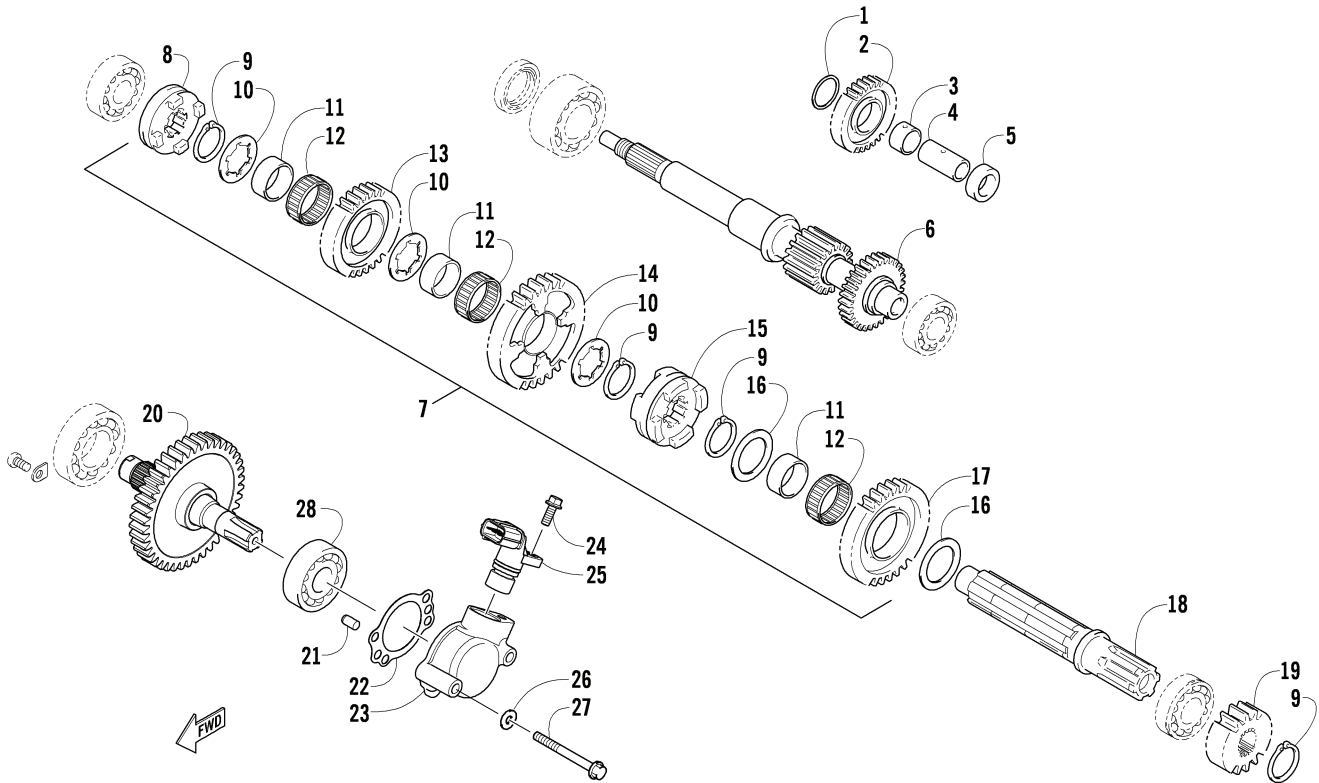
Ref.	Part No.	Qty.	Description	Ref.	Part No.	Qty.	Description
1	0812-069	1	Pump, Oil	9	0812-038	1	Cap, Oil Strainer
2	0812-010	1	Gear, Driven	10	0830-159	1	O-Ring
3	0812-036	1	Pin, Dowel	11	3303-384	4	Screw, Cap
4	0828-007	1	Washer	12	0829-033	2	Pin, Dowel
5	0831-002	1	Ring, Retaining	13	0812-065	1	Plug, Drain
6	3304-190	3	Screw, Machine	14	0830-143	1	Gasket, Drain Plug
7	0812-049	1	Strainer, Oil	15	0812-067	1	Valve, Oil Relief - Assembly (inc. 16)
8	3313-722	2	Screw, Cap	16	0830-181	1	● O-Ring



TRANSMISSION ASSEMBLY

0744-267

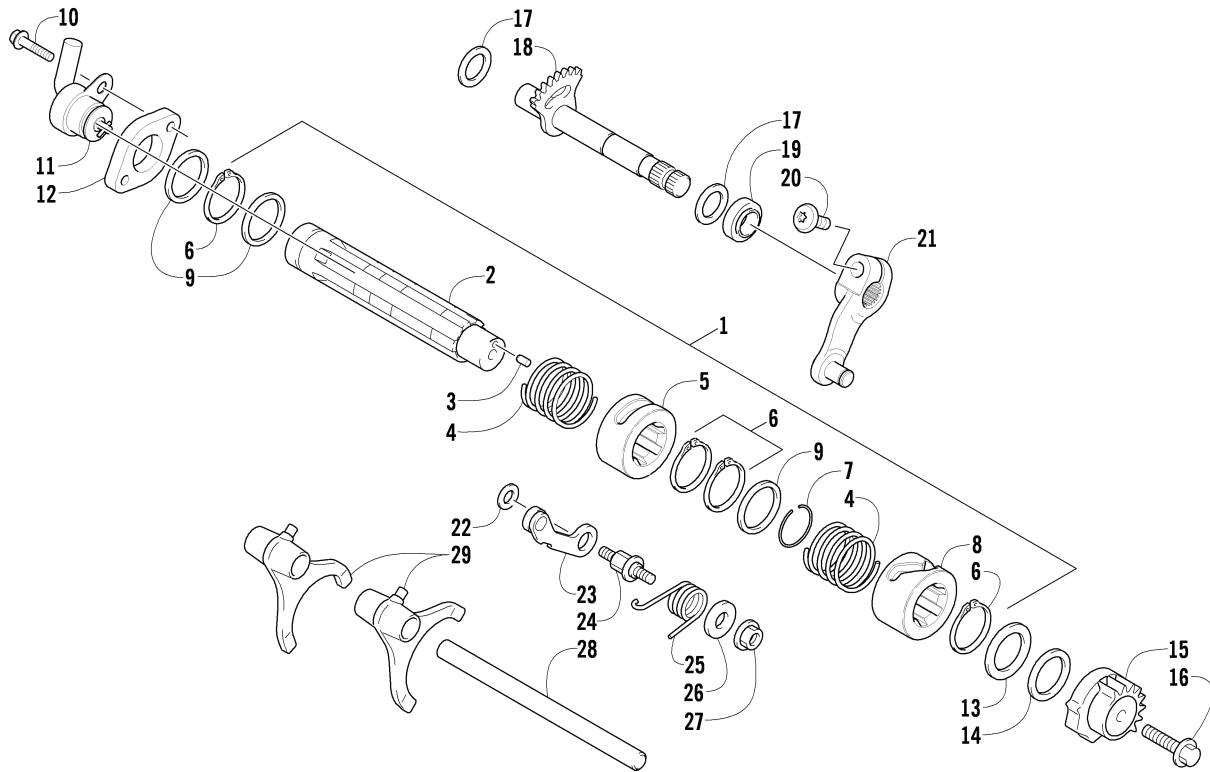
Ref.	Part No.	Qty.	Description	Ref.	Part No.	Qty.	Description
1	0823-197	1	Shoe, Clutch - Assembly	10	0823-210	8	Roller, Movable Drive Face
2	0823-198	1	Clutch, One-Way	11	0823-206	1	Spacer, Movable Drive Face
3	0827-050	1	Nut	12	0823-213	1	Plate, Movable Drive Face
4	0823-200	1	Housing, Clutch	13	0823-214	4	Damper, Movable Drive Face
5	0830-187	1	O-Ring	14	3323-165	1	Nut
6	0823-058	1	Spacer	15	0823-294	1	Clutch, Driven - Assembly (inc. 16)
7	0823-203	1	Face, Fixed Drive	16	0829-043	1	● Key
8	0823-228	1	Belt, Drive	17	0827-058	1	Nut
9	0823-207	1	Face, Movable Drive				



SECONDARY TRANSMISSION ASSEMBLY

0744-269

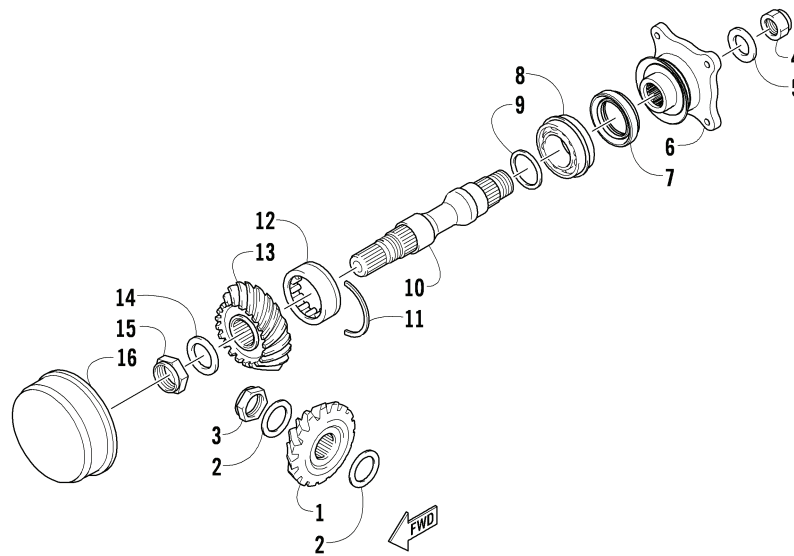
Ref.	Part No.	Qty.	Description	Ref.	Part No.	Qty.	Description
1	0828-081	1	Washer	15	0822-027	1	● Gear Select, Sliding
2	0822-061	1	Gear, Reverse Idle	16	3304-044	2	● Washer, Thrust
3	0822-065	1	Bushing	17	0822-026	1	● Gear, Driven - High
4	0822-064	1	Shaft, Reverse Idle	18	0822-025	1	● Countershaft
5	0822-029	1	Spacer	19	0822-028	1	Gear, Drive
6	0822-022	1	Driveshaft	20	0822-023	1	Shaft, Output
7	0822-036	1	Countershaft Assembly (inc. 8-18)	21	3303-395	2	Pin, Dowel
8	0822-033	1	● Gear Select, Reverse	22	0830-156	1	Gasket, Housing
9	3304-147	4	● Circlip	23	0822-105	1	Housing, Speedometer Sensor
10	3304-045	3	● Washer	24	3303-382	1	Screw, Cap
11	0822-062	3	● Bushing	25	3313-172	1	Sensor, Speedometer
12	0832-038	3	● Bearing	26	0830-155	2	Gasket
13	0822-032	1	● Gear, Reverse Driven	27	3303-387	2	Screw, Cap
14	0822-063	1	● Gear, Driven - Low	28	3304-198	1	Bearing



GEAR SHIFTING ASSEMBLY

0744-284

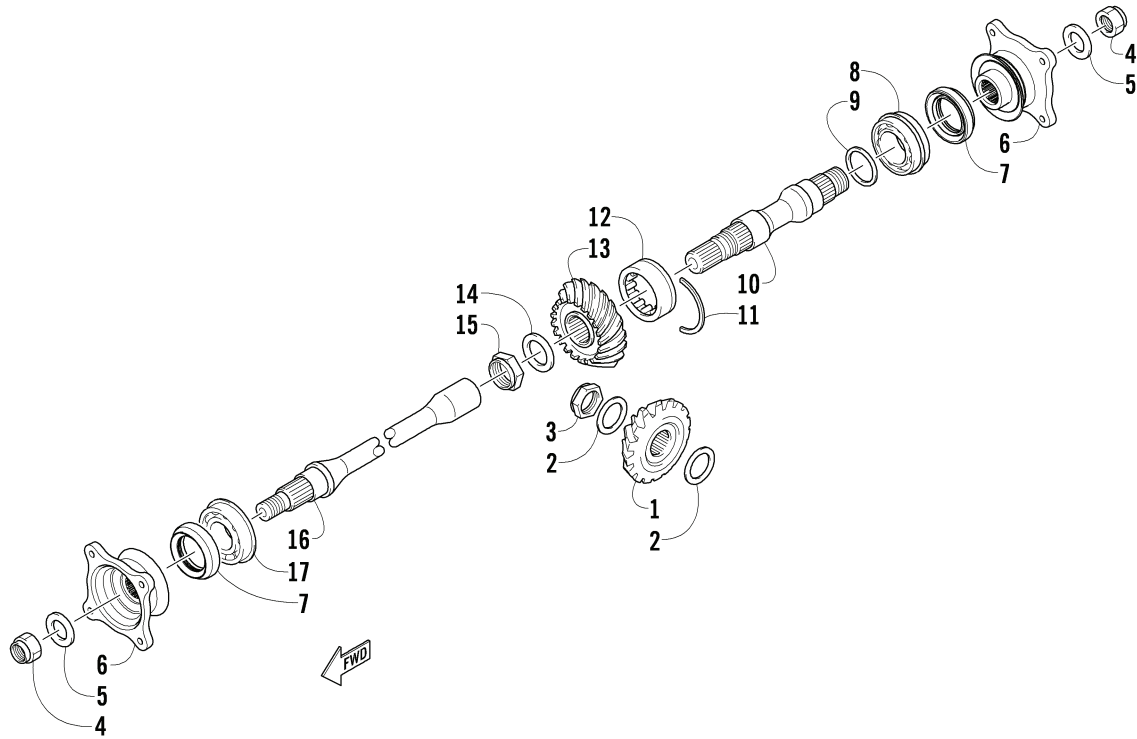
Ref.	Part No.	Qty.	Description	Ref.	Part No.	Qty.	Description
1	0818-024	1	Shaft, Gear Shift - Assembly (inc. 2-8 and two No. 9)	15	0818-061	1	Plate, Gear Shift Cam
2	0818-044	1	● Shaft, Gear Shift	16	3304-569	1	Screw, Cap
3	3304-439	1	● Pin, Dowel	17	0828-084	2	Washer
4	0818-060	2	● Spring	18	0818-022	1	Shaft, Sub-Gear Shift
5	0818-019	1	● Cam, Reverse	19	0830-179	1	Seal
6	3304-147	4	● Circlip	20	3304-551	1	Screw, Machine
7	0831-016	1	● C-Ring	21	0818-080	1	Arm, Select
8	0818-023	1	● Cam, Gear Shift	22	0828-083	1	Washer
9	0828-079	3	● Washer	23	0818-084	1	Stopper, Cam
10	3303-252	2	Screw, Cap	24	0818-062	1	Support, Cam Stopper
11	3313-434	1	Switch, Gear Position	25	0818-020	1	Spring
12	0818-073	1	Spacer, Speed Sensor	26	0828-082	1	Washer
13	0828-081	1	Washer, Thrust	27	3303-331	1	Nut
14	0828-080	1	Washer, Thrust	28	0818-021	1	Shaft, Shift Fork
				29	0818-088	2	Fork, Shift



SECONDARY DRIVE ASSEMBLY (2X4)

0744-594

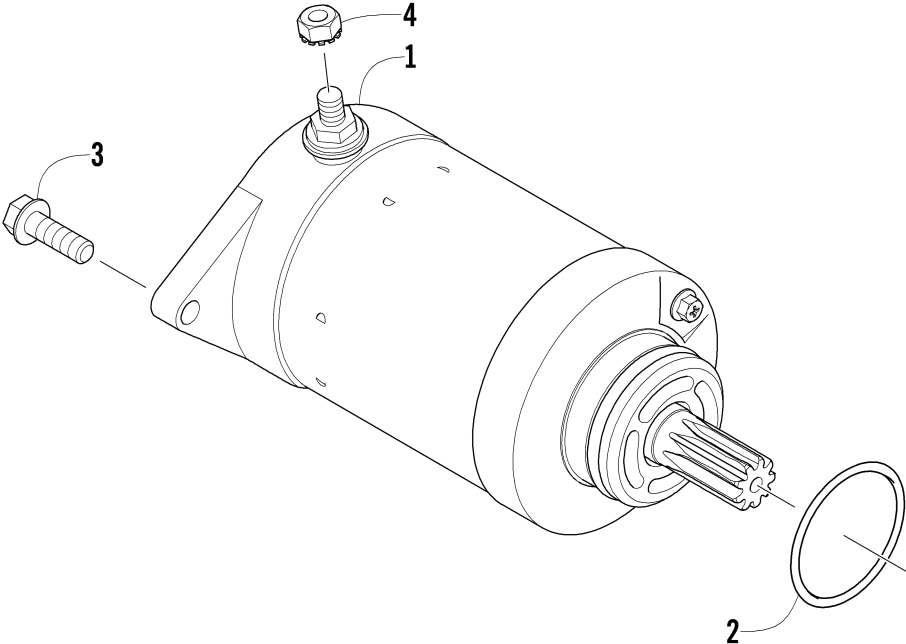
Ref.	Part No.	Qty.	Description	Ref.	Part No.	Qty.	Description
1	0819-018	1	Gear, Secondary Drive	9	0828-088	AR	Shim, 25 x 34
2	3305-554	2	Washer, Thrust	10	0819-021	1	Shaft, Secondary Driven
3	0827-047	1	Nut	11	0819-070	1	C-Ring
4	0817-001	1	Nut	12	0832-040	1	Bearing
5	3304-958	1	Washer	13	0819-019	1	Gear, Secondary Driven
6	0819-022	1	Flange, Output Joint	14	0828-090	1	Washer
7	0830-144	1	Seal, Oil	15	0827-022	1	Nut
8	0832-041	1	Bearing	16	0819-108	1	Plug



SECONDARY DRIVE ASSEMBLY (4X4)

0744-285

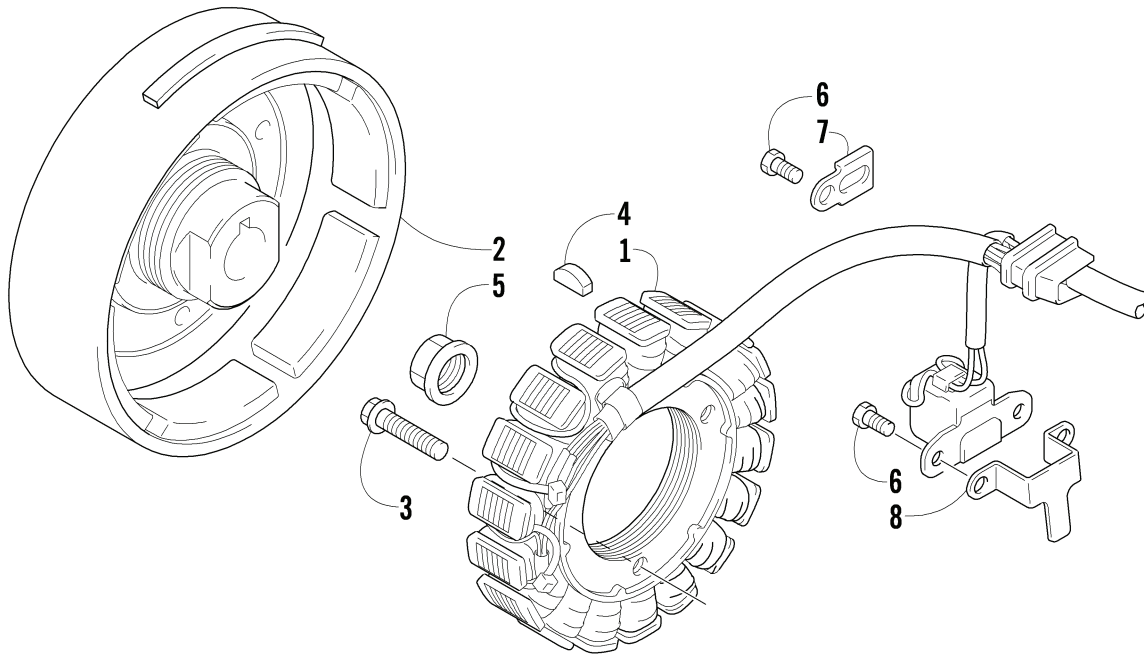
Ref.	Part No.	Qty.	Description	Ref.	Part No.	Qty.	Description
1	0819-018	1	Gear, Secondary Drive	10	0819-021	1	Shaft, Secondary Driven
2	3305-554	2	Washer, Thrust	11	0819-070	1	C-Ring
3	0827-047	1	Nut	12	0832-040	1	Bearing
4	0817-001	2	Nut	13	0819-019	1	Gear, Secondary Driven
5	3304-958	2	Washer	14	0828-090	1	Washer
6	0819-022	2	Flange, Output Joint	15	0827-022	1	Nut
7	0830-144	2	Seal, Oil	16	0819-020	1	Shaft, Secondary Driven
8	0832-041	1	Bearing	17	0832-026	1	Bearing
9	0828-088	AR	Shim, 25 x 34				



STARTER MOTOR ASSEMBLY

0743-206

Ref.	Part No.	Qty.	Description	Ref.	Part No.	Qty.	Description
1	3313-433	1	Motor, Starter - Assembly (inc. 2) (Up to Engine Serial Number 1301260)	2	3304-104	1	● O-Ring
	<u>3313-719</u>	1	Motor, Starter - Assembly (inc. 2) (Engine Serial Number 1301261 and Up)	3	3303-385	2	Screw, Cap
				4	3304-011	1	Nut w/Washer



MAGNETO ASSEMBLY

0743-035

Ref.	Part No.	Qty.	Description	Ref.	Part No.	Qty.	Description
1	3323-200	1	Stator Assembly	5	0827-046	1	Nut
2	3323-164	1	Rotor/Flywheel	6	3303-308	3	Screw, Cap
3	3304-190	3	Screw, Cap	7	0802-003	1	Clamp
4	0829-039	1	Key	8	0802-004	1	Clamp

