

FITTING INSTRUCTIONS

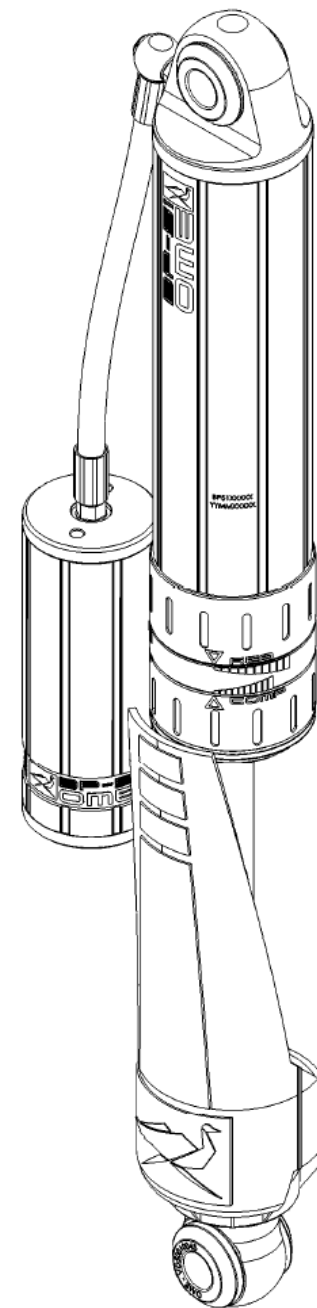
BP5160006 & BP5160039 SUITS GU/GQ PATROL REAR

BP5160008 & BP5160041 SUITS GU/GQ PATROL REAR LONG

WARNING

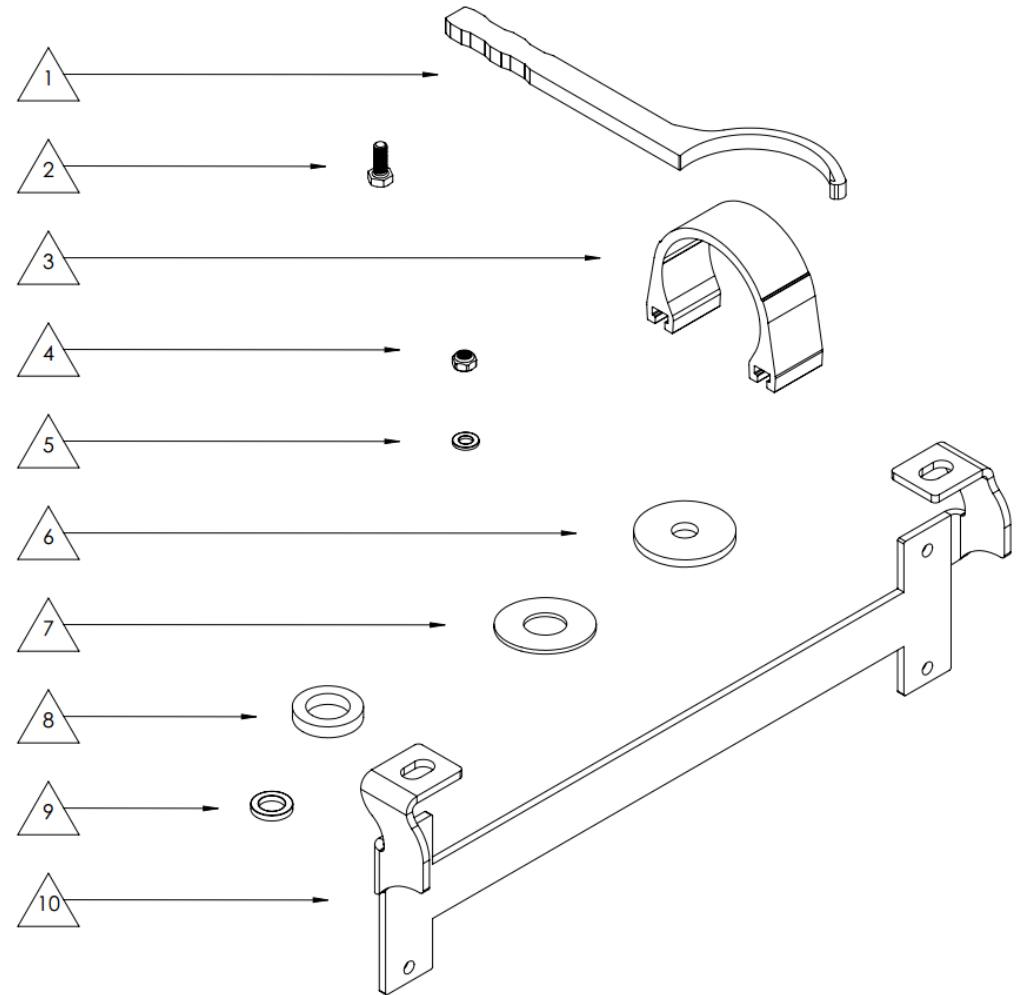
- ◆ **BP5160008 and BP5160041 are designed for Modified 4" Lift Kits only, not 2" Lift Kits.**
- ◆ **ARB is NOT responsible for the fitment of the modified 4" Lift Kit. Extensive modification must be undertaken before fitting this product such as extended sway bar links, brake lines, electrical lines, bump stops etc.**
- ◆ This product must be installed exactly as per these instructions using only the hardware supplied.
- ◆ In the event of damage to any suspension component, contact your nearest authorised ARB stockist. Repairs or modifications to the suspension system components must not be attempted.
- ◆ Do not use this product for any vehicle make or model, other than those specified by ARB.
- ◆ Do not remove labels from suspension components.
- ◆ This product or its fixing must not be modified in any way.
- ◆ The installation of this product may require the use of specialized tools and/or techniques
- ◆ It is recommended that this product is only installed by trained personnel
- ◆ These instructions are correct as at the publication date. ARB Corporation Ltd. cannot be held responsible for the impact of any changes subsequently made by the vehicle manufacturer
- ◆ During installation, it is the duty of the installer to check correct operation/clearances of all components
- ◆ Work safely at all times

Note: These fitting instructions should be read in conjunction with the vehicle workshop manual.



FITTING KIT CONTENTS – VM80010023

Item	Description	Qty	Spare Part No
1	ADJUSTER TOOL	1	VC10010071SP
2	BOLT M6 x 1.0 x 16	4	VD60030003SP
3	MOUNT RESERVOIR CLAMP	2	VE10010003SP
4	NUT M6 NYLOC	4	VD60010003SP
5	WASHER: 6mm BLACK	4	VE70020005SP
6	WASHER: ID14 OD46 T4	4	VE70020016
7	WASHER: ID19 OD46 T2	4	VE70020006
8	WASHER: ID20 OD32 T6	2	VE70020008
9	WASHER: SPACER (12x 19x 3mm)	4	VE70020001
10	BRKT RESI GU REAR	1	VE10020024



DAMPER PREPARATION

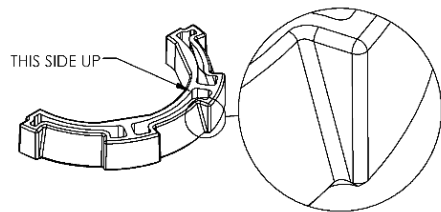
SECURING SHAFT GUARDS

The shaft guards are designed to protect the shaft from stones thrown from the front wheels and are mounted to the front side of the damper.

It is easiest to secure the shaft guards before the dampers are fitted to the vehicle.

Please follow steps 1-3.

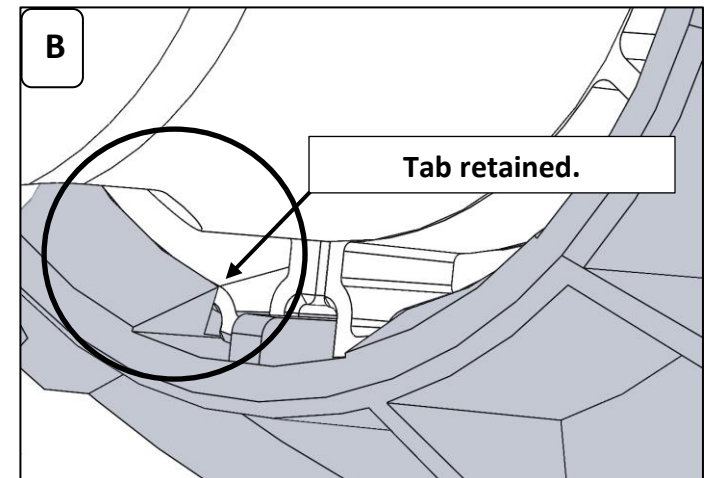
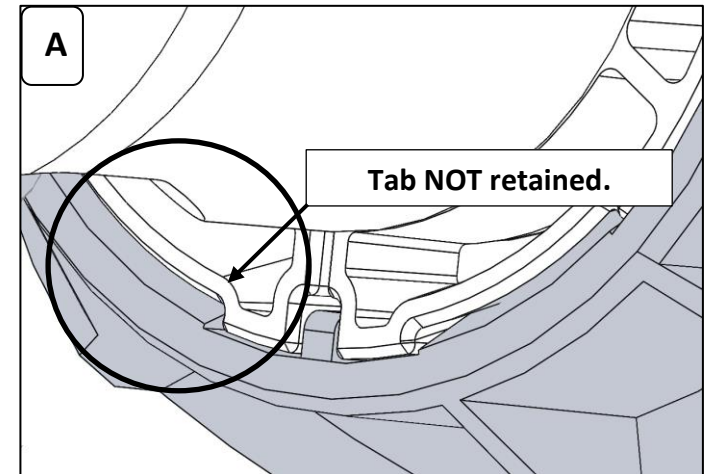
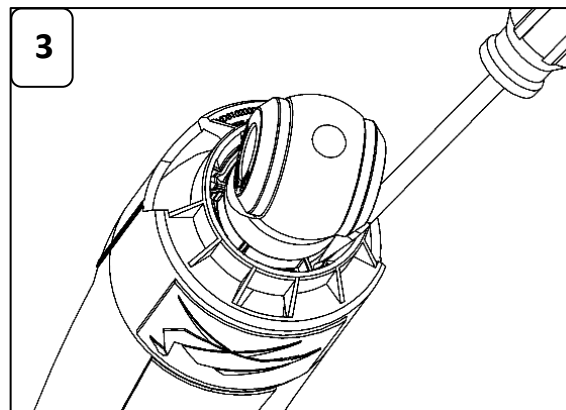
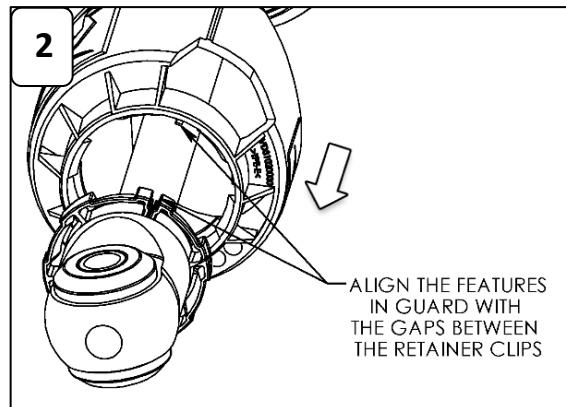
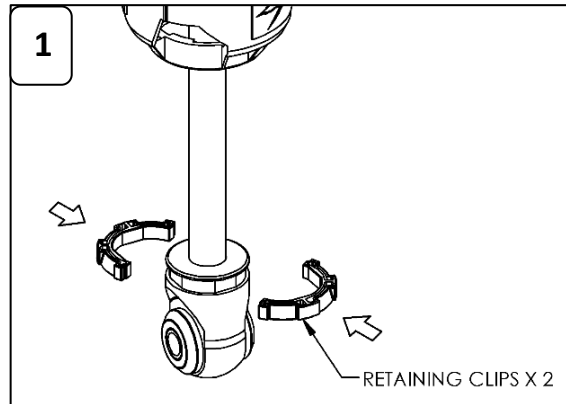
1. Fit the two retainers to the eyelet as shown. Note the orientation.



2. There are features on the shaft guard that locate in the gaps between the two retainers. Align the guard with these gaps and firmly pull the shaft guard down over the retainers to secure in place.

3. Check retainers are completely secured by guard. Use a flat blade screwdriver to poke retainers under tabs on guard if required. Refer to pictures (A) and (B) for correct fitment.

IMPORTANT: Ensure ALL tabs are fully retained.



IMPORTANT: Ensure ALL tabs are fully retained

DAMPER MOUNTING SEQUENCE

Remove old dampers from vehicle.

NOTE: It's easiest to fit the damper with the axle in droop. Ensure the axle is supported and take care not to overstretch any brake lines or ABS wires.

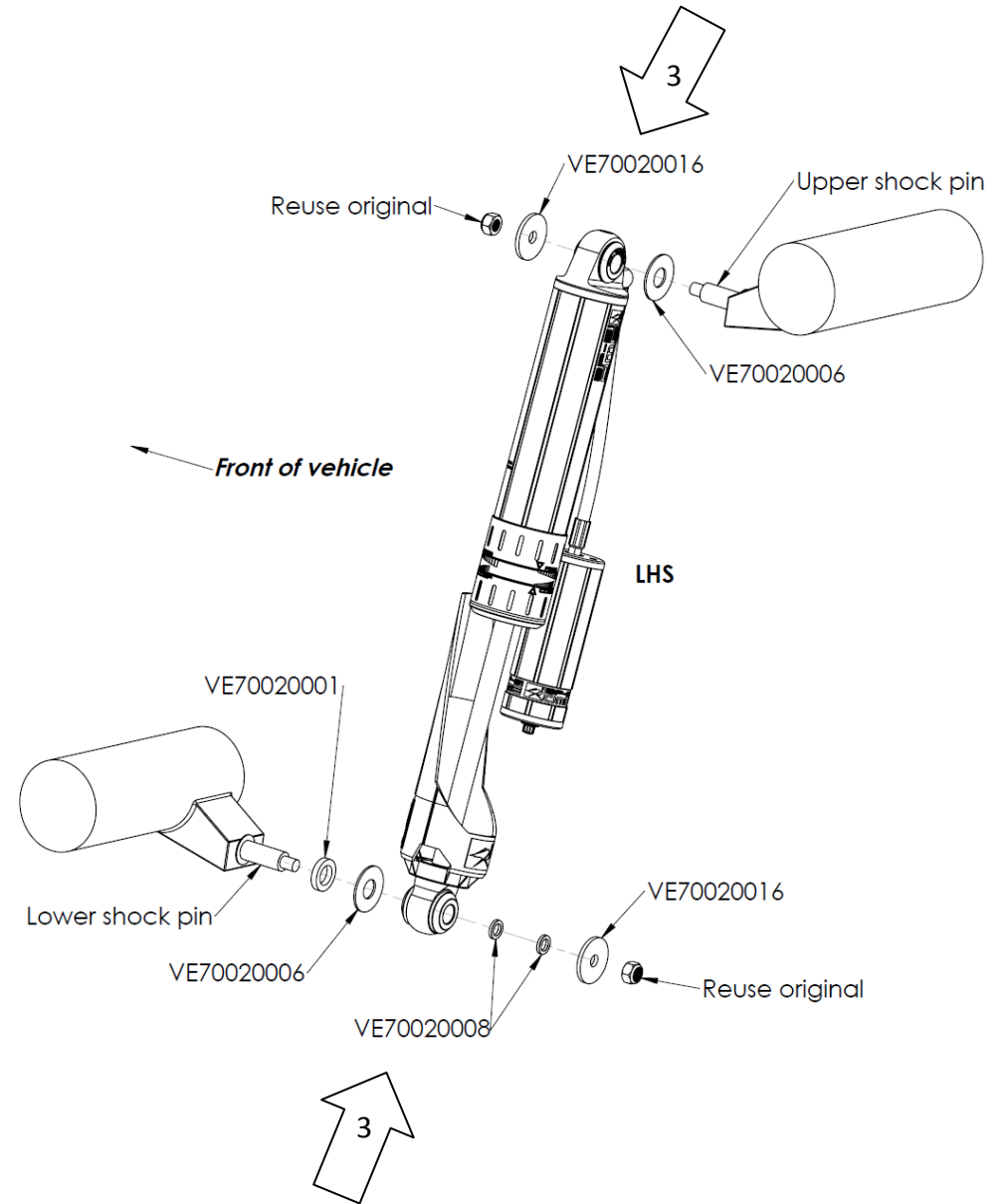
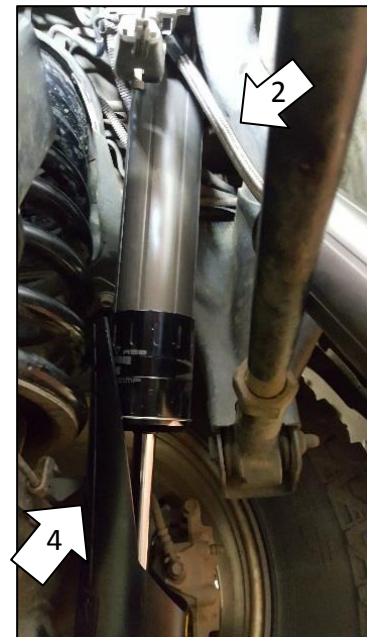
Start with the LHS. Feed the reservoir inward of the vehicle and over the exhaust as shown (1).

Assemble the LHS rear damper with the correct order of washers and spacers as shown (3).

Fit the RHS as per LHS with the correct order of washers and spacers as shown (3). Ensure the shock is orientated so that the hose exits inward of the vehicle before fitting the damper (2).

Tighten the top and bottom mounting fasteners until the nut reaches the end of the thread.

NOTE: Ensure that there is adequate clearance between the guard and the bump stop plate on the axle (4). If not remove an appropriate amount of material on the bump stop mount.



RESERVOIR MOUNTING SEQUENCE

Fit M6 bolts to the Reservoir Bracket and secure with nyloc nut and flat washer (1).

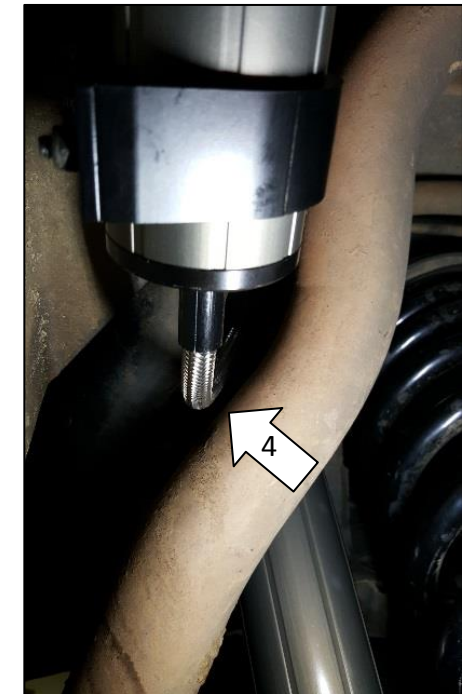
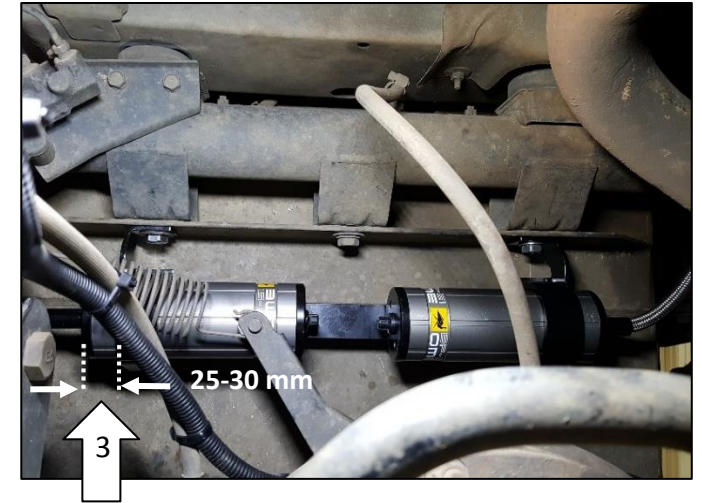
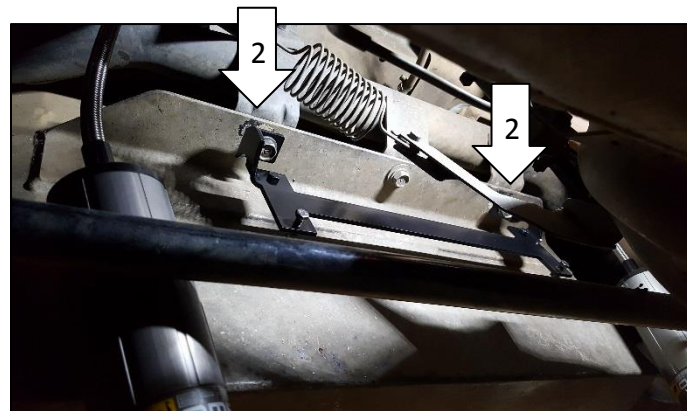
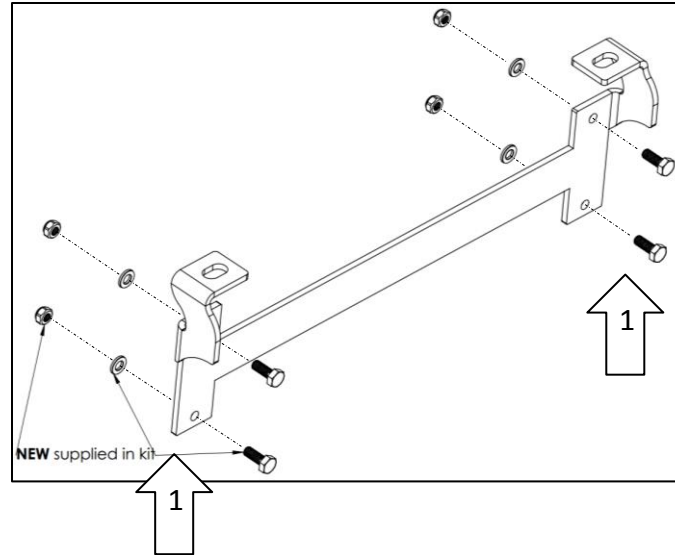
The nuts and washers should be to the inside with the bolt hexagonal head to the outside to accept the reservoir mounting saddle.

Secure finger tight only at this stage.

Fit the Reservoir Bracket to the two outer fuel tank fasteners as shown, ensure that the M6 hexagonal heads are facing to the front of the vehicle (2).

Slide the two saddles over the heads of the bolts in the mounting plate and then slide both reservoirs through the saddles. Adjust the position of both the RHS and LHS reservoirs to the position shown (3).

Now that all parts are fitted, ensure the reservoir hose is free of contact from any surfaces, rotate the reservoir within the saddle if necessary. In particular check that the hose clears the exhaust as shown (4). Finally tighten the reservoir saddle M6 fasteners.



DAMPING ADJUSTMENT

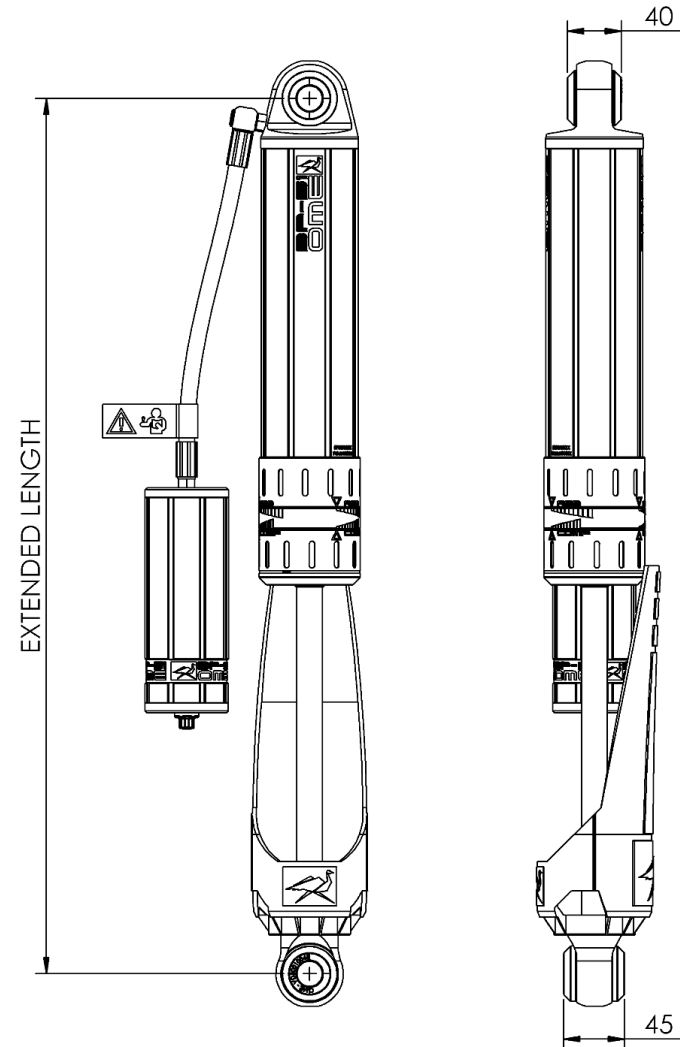
These dampers have been set in the factory to be used for a vehicle with certain load.

If your load or accessory fitment differs, use the table below as a guide for recommended compression and rebound adjuster settings.

Part Number	Rear Pay Load (kg)	Compression	Rebound
BP5160006	0 - 200	0-3	0-3
	200 - 400	3-6	3-16
	400 +	6-10	6-10
Factory setting		5	6
BP5160039	0 - 200	0-3	0-3
	200 - 400	3-6	3-6
	400 +	6-10	6-10
Factory setting		0	4
BP5160008	0 - 200	0-3	0-3
	200 - 400	3-6	3-6
	400 +	6-10	6-10
Factory setting		5	6
BP5160041	0 - 200	0-3	0-3
	200 - 400	3-6	3-6
	400 +	6-10	6-10
Factory setting		4	6

SPECIFICATIONS

1	BP5160006 & BP5160039	Extended Length	651 mm
		Compressed Length	405 mm
2	BP5160008 & BP5160041	Extended Length	711 mm
		Compressed Length	435 mm



SPARE PARTS

Refer to Service And Part manual section:

- For BP5160006 see **BP-51 S&P 3.1-BP5160006**
- For BP5160008 see **BP-51 S&P 3.1-BP5160008**
- For BP5160039 see **BP-51 S&P 3.1-BP5160039**
- For BP5160041 see **BP-51 S&P 3.1-BP5160041**