

## CONCEALED WINCH MOUNTING BRACKET

**Part Number:** 2L.5801.1  
**Suited to vehicle:** Volkswagen Amarok  
2010-2016 (2.0L)  
2016- ON (2.0L; V6 3.0L)  
**Material:** Steel 6 mm  
**Dimensions:** 965x250x185 mm  
**Weight:** 14.3 kg



## SAFETY NOTICE

- \* The RIVAL concealed winch mounting bracket is designed to compliment the use and design of the specified vehicle under conditions specified by the car manufacturer.
- \* While driving the vehicle at any speed, collision with any other vehicle, animal or object must always be avoided.
- \* The operation of a vehicle where the bracket is not properly attached and fastened to the vehicle, or where it has been damaged, must be avoided at all cost.
- \* It is recommended that you carry out regular inspections of all the bracket fittings.
- \* Do not install any winch with a higher pulling capacity than winch is specified in the manual.

## INSTALLATION NOTICE

- \* The RIVAL concealed winch mounting bracket must be mounted and affixed to the vehicle according to the installation manual provided by an authorized RIVAL dealer or Motor dealer or by a special vehicle repairer or fitment center.
- \* Personal safety during the installation process must be adhered to at all times and the use of personal safety equipment is highly recommended.

## REQUIRED TOOLS

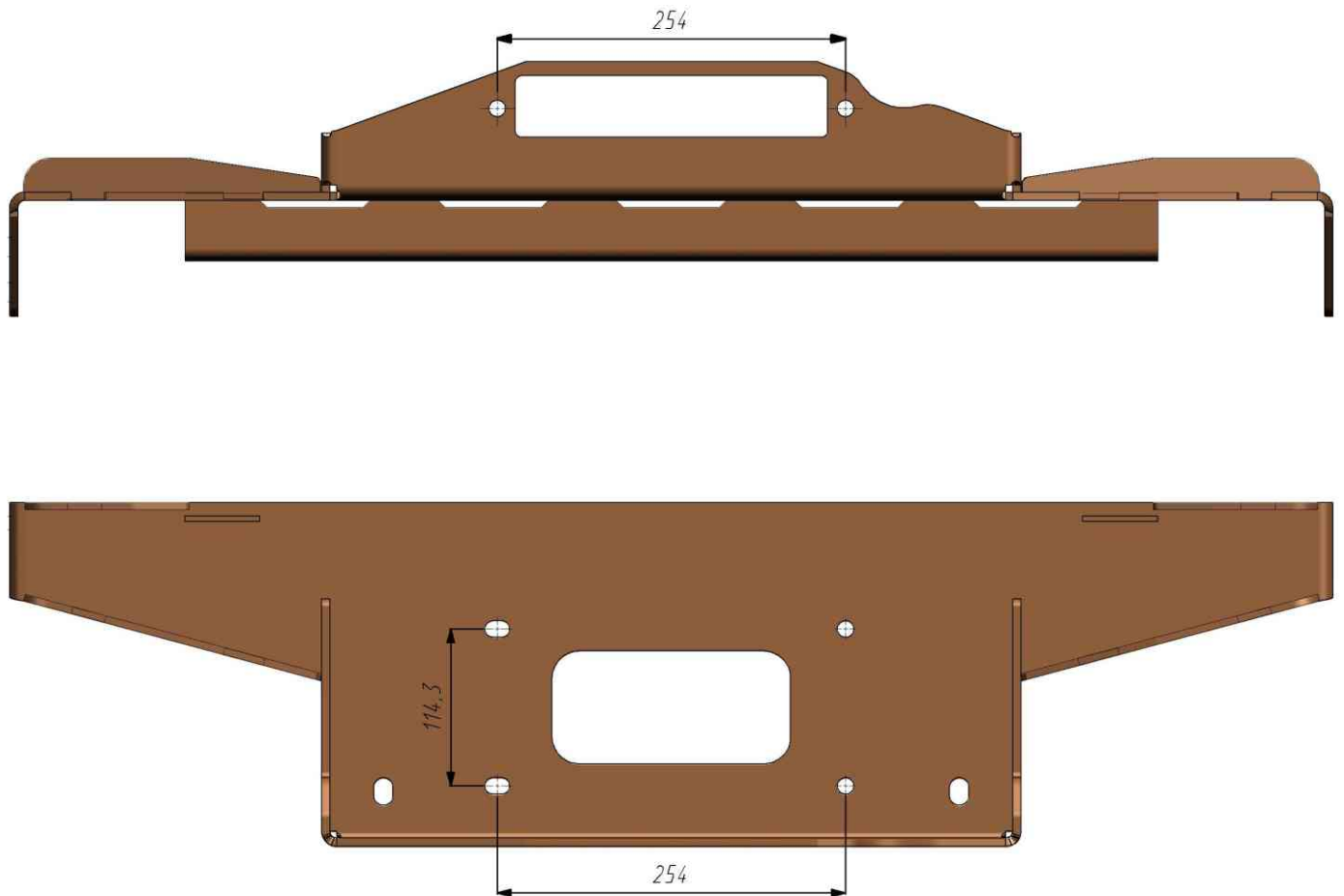
- \* Basic tool kit
- \* Electric drill
- \* Drill set
- \* Marker
- \* Knife

## TORQUE SETTINGS

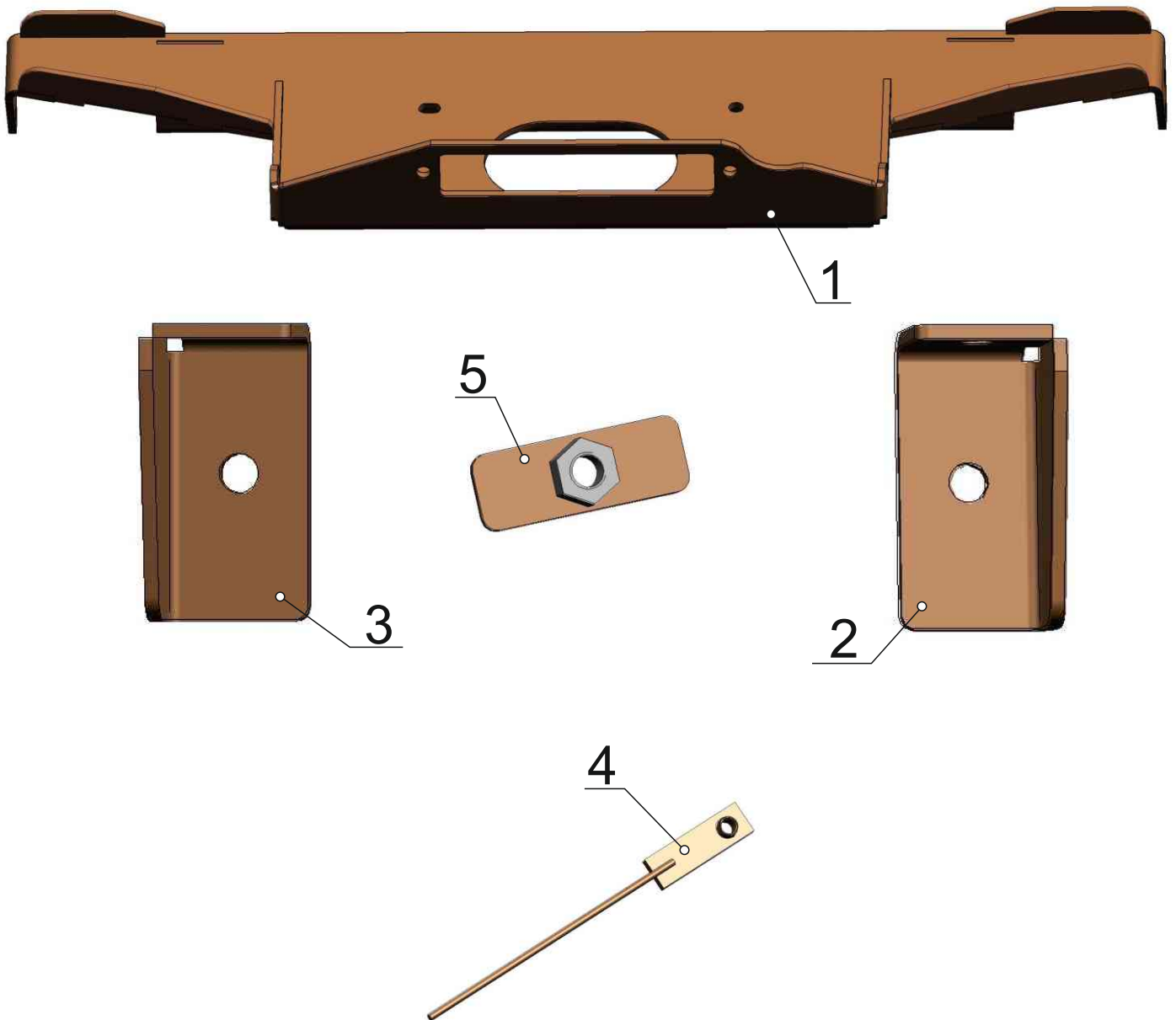
* M8	30 Nm
* M10	44 Nm
* M12	77 Nm

## WINCH INSTALLATION

A winch with a pull capacity of up to 11000lb (4989 kg) can be installed with the RIVAL concealed winch mounting bracket. It is not advisable to exceed this pulling capacity since damage, injury or death may occur where the 11000lb recommended capacity is exceeded.



1. Winch bracket.....	1 pc.
2. Left bracket.....	1 pc.
3. Right bracket.....	1 pc.
4. Insert nut M10.....	2 pc.
5. Insert nut M12.....	2 pc.
6. Bolt M10x50.....	2 pc.
7. Bolt M12x30.....	2 pc.
8. Bolt M12x40.....	2 pc.
9. Nut M12.....	2 pc.
10. Washer 10.....	2 pc.
11. Washer 12.....	6 pc.





1. Open the bonnet.
2. Disconnect the negative battery terminal cable.



- \*For Amarok 2010-2016**
3. Remove 4 screws out of radiator grid.

***\* Keep all the fitting elements with you for further installation.***



4. Remove 3 screws from inside of the fenders on each side of the vehicle.

***\* Keep all the fitting elements with you for further installation***



5. Remove 4 screws out of lower lip of the bumper.

***\* Keep all the fitting elements with you for further installation.***



**\*For Amarok 2010-2016**  
6. Remove plastic covers of the fog lights.



**\*For Amarok 2010-2016**  
7. Remove the bolt that attaches bumper to the underframe of the vehicle.  
8. Remove fog lights screws. Pull the light towards you. Disconnect the cables.

***\* Keep all the fitting elements with you for further installation.***

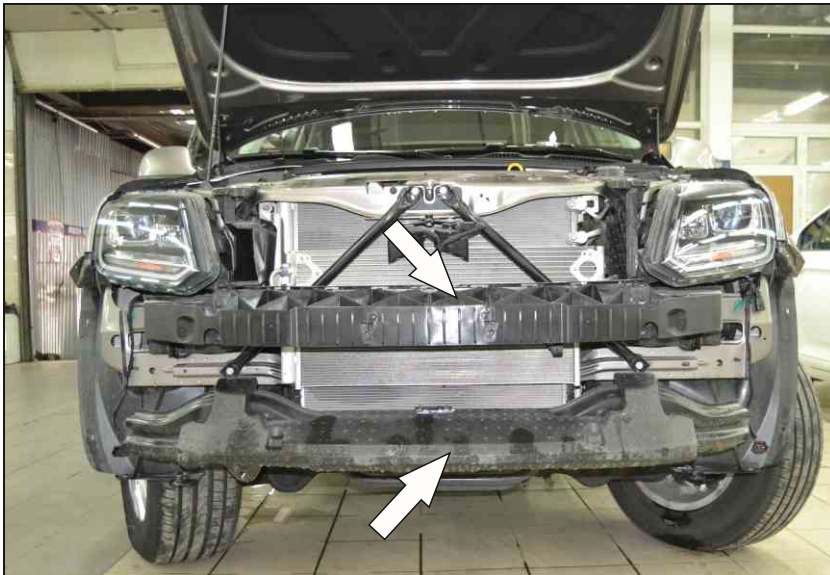


9. Remove 2 screws out of bumper under the licence plate.

***\* Keep all the fitting elements with you for further installation.***

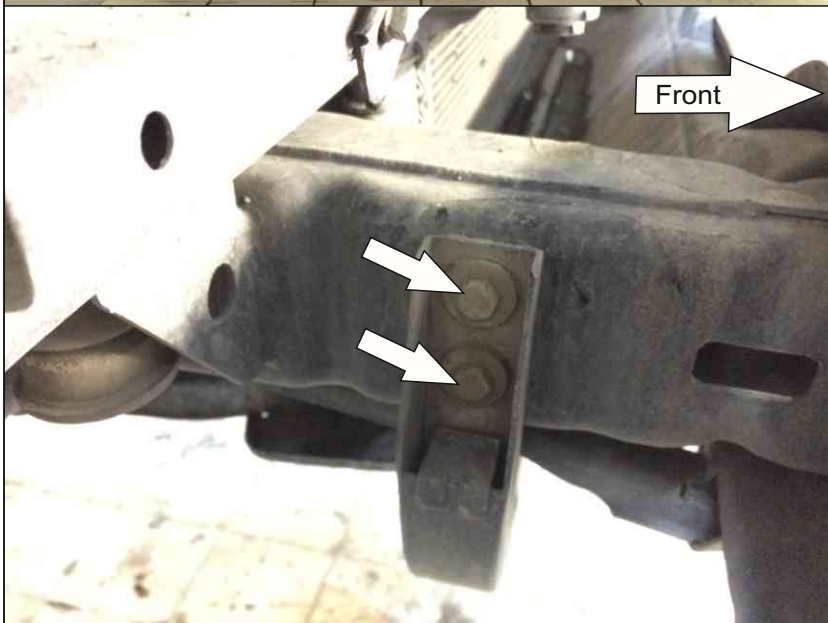


10. Deinstall the bumper. Pull the bumper towards you holding the sides.



11. Remove bumper brackets.

**\* Keep all the fitting elements with you for further installation.**



12. Remove 2 bolts out of skid plate fitting on right side of the vehicle.

**\* Keep all the fitting elements with you for further installation.**



13. Increase the size of the 2 apertures on left side of underframe by drilling them to 10mm diameter.



14. Install the winch bracket to underframe. On right side, place winch bracket under the original skid plate bracket. Slightly screw OE bolts of skid plate. DO NOT TIGHTEN YET.

*\*It's recommended for easier installation to place right side first, and then the left one.*



15. Insert nuts M10 into OE aperture in underframe.



16. Fix left side of the bracket to insert nuts M10 with bolts M10x50 and washers No. 10.  
DO NOT TIGHTEN YET.



17. Mount brackets #2 and #3 to winch bracket using bolts M12x30, nuts M12 and washers #11. Mark future apertures on the front cross-bar.



18. Remove brackets #2 and #3. Drill apertures of 12mm diameter in front cross-bar.

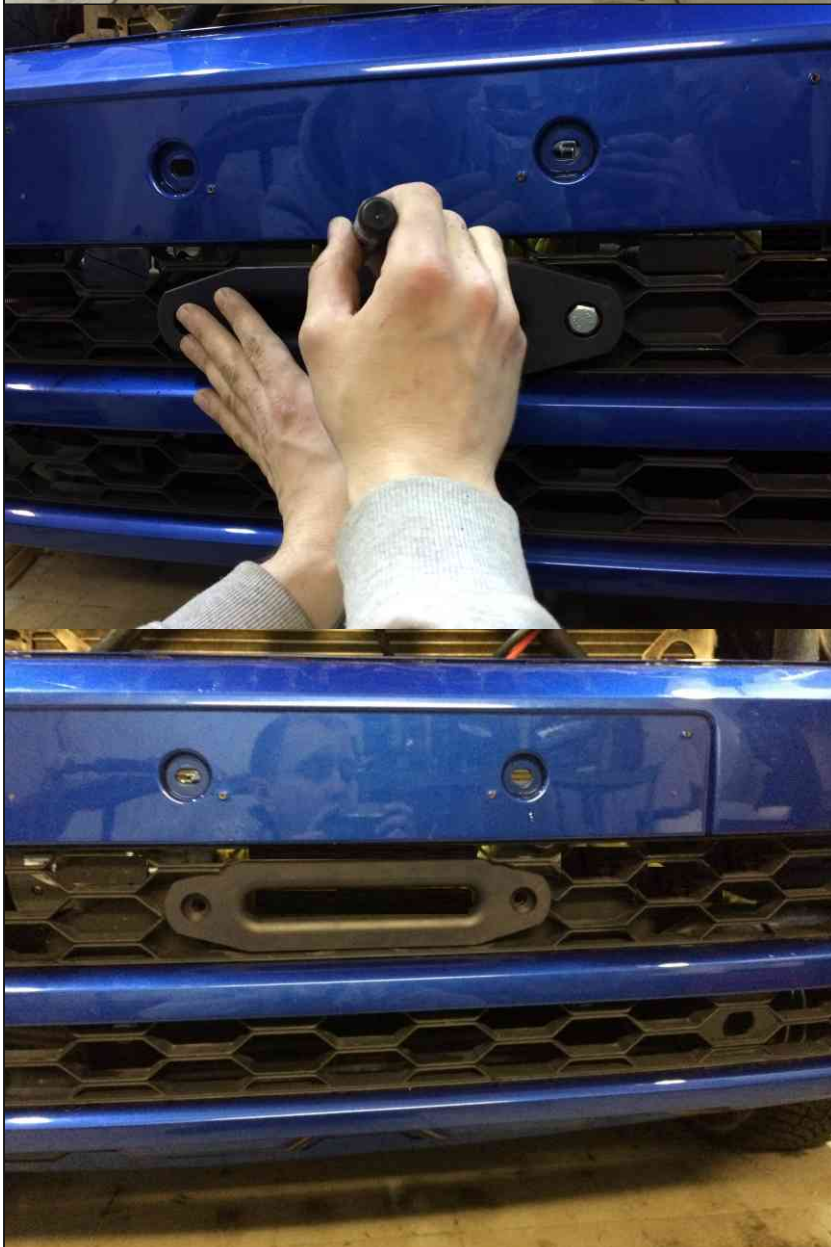




19. Mount brackets #2 and #3 to the winch bracket using bolts M12x30 , nuts M12 and washers #11.

Fix brackets #2 and #3 through drilled apertures to insert nuts M12 with bolts M12x40 and washers #11.

Tighten all nuts and bolts.



20. Install front bumper (do not fasten yet).

Mark area for winch fairlead (not supplied with RIVAL bracket).

Cut as marked.



21. Remove front bumper.
22. Mount the fairlead to the bracket using the bolts supplied with the fairlead.



23. Install the winch (not supplied with RIVAL bracket).  
Fix it with bolts supplied with the winch.



24. Install bumper brackets.  
If needed cut the plastic where required to provide space for the winch bracket and winch.



25. Install front bumper to the vehicle.

**Before operating a vehicle fitted with a RIVAL concealed winch mounting bracket:**

- make sure all fittings are tightened
- connect the battery wiring which was previously disconnected
- check all electrical wiring
- check winch operation

